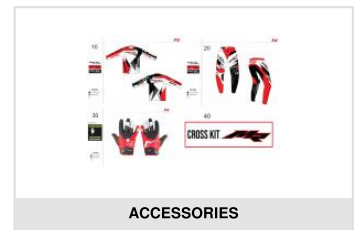
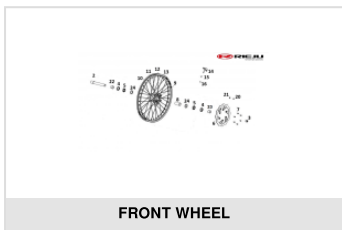
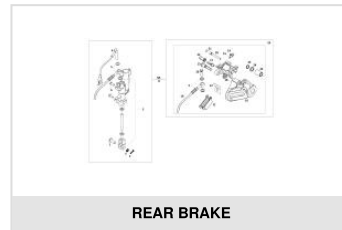
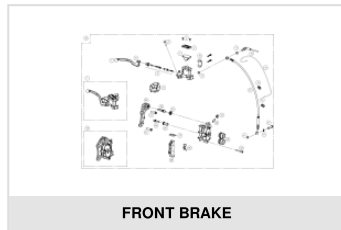
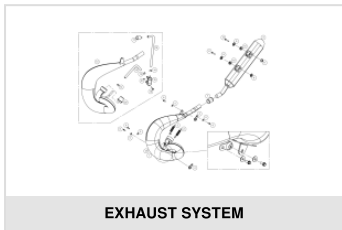
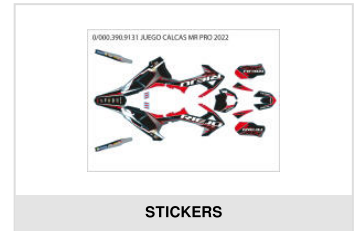
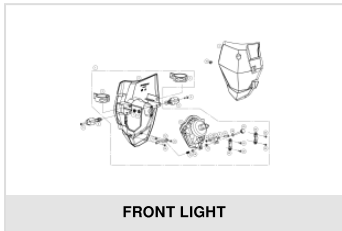
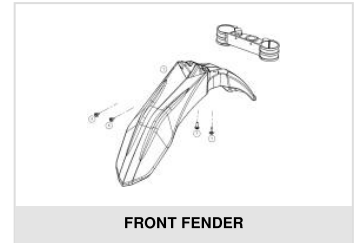
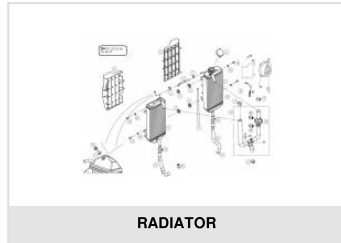
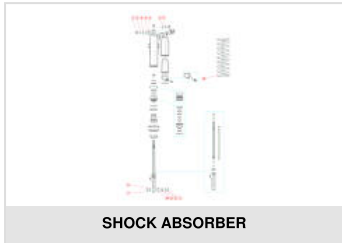
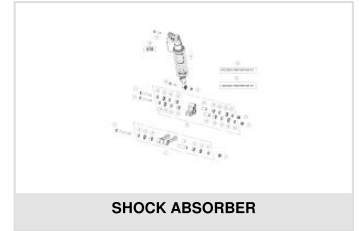
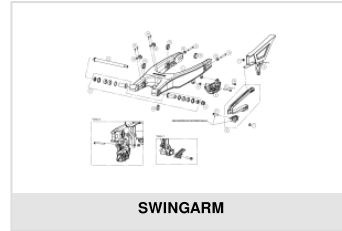
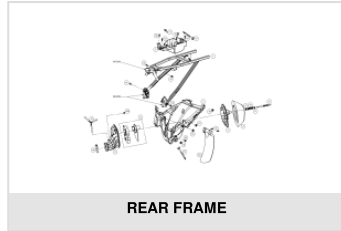
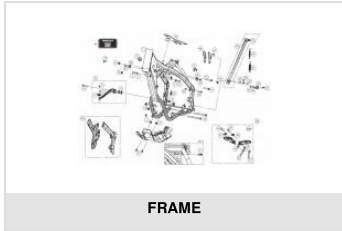
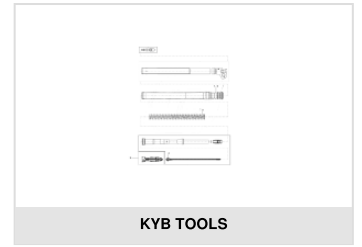
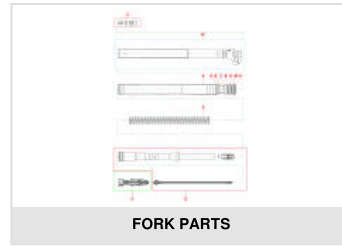
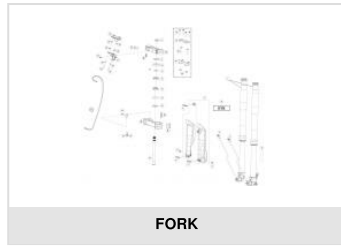
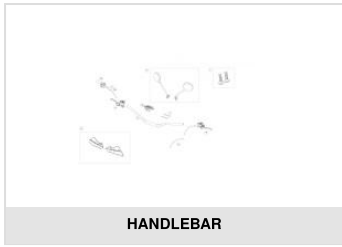


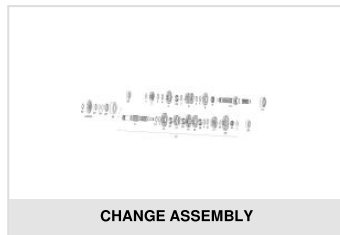
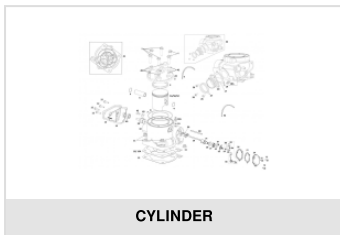
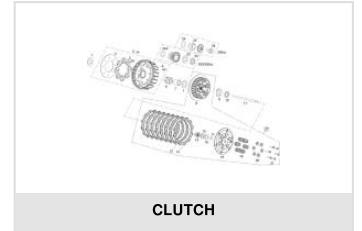
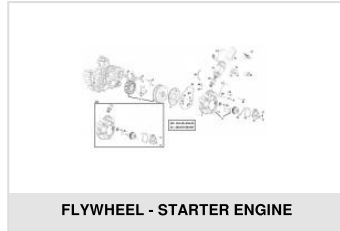
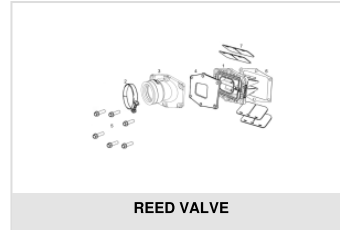
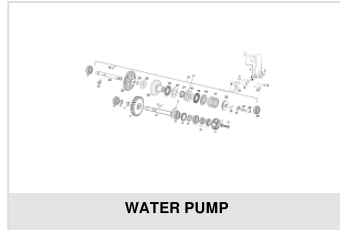


MR 300 PRO BLACK 2022

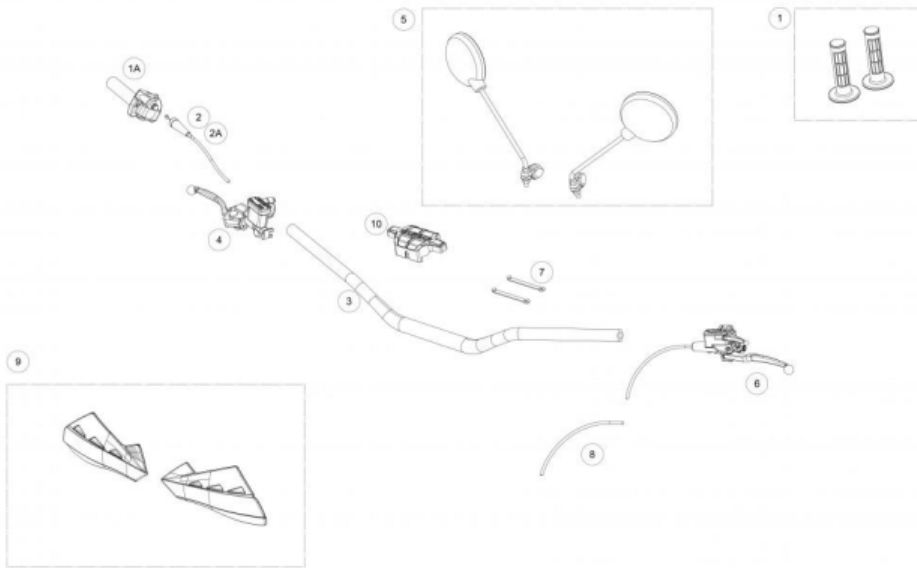
Exploded



ENGINE MR 2022 V2



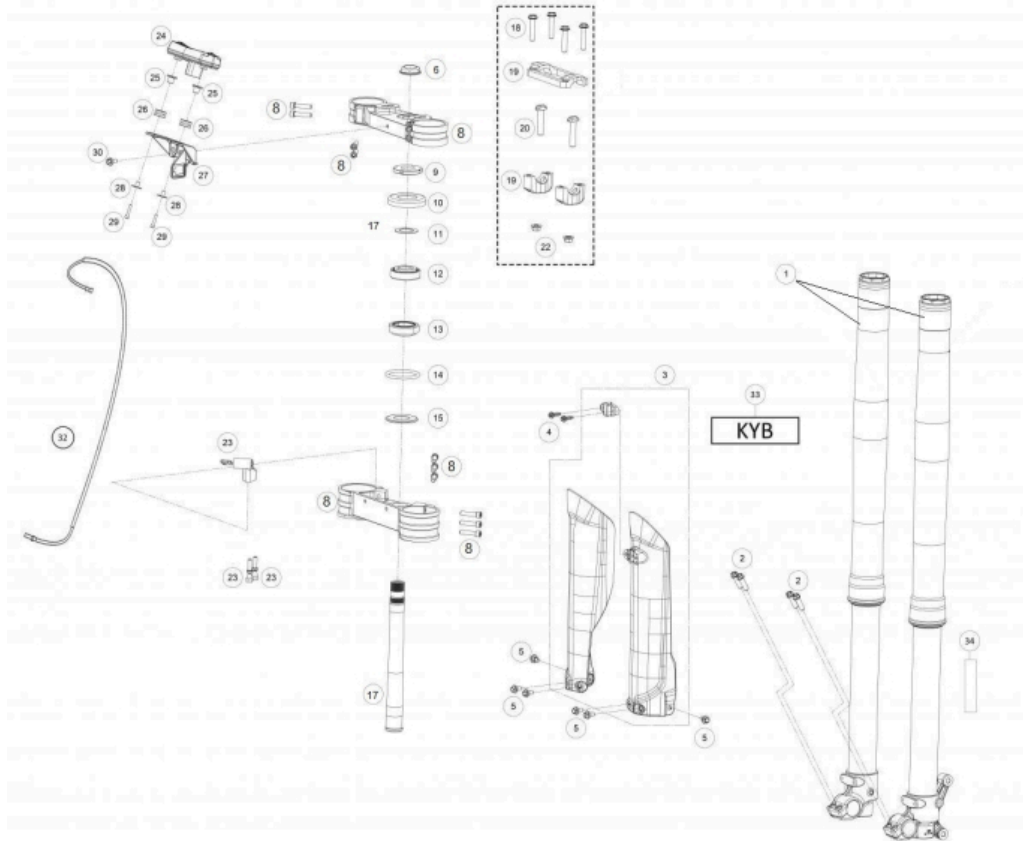
HANDLEBAR



| | |
|----|---|
| 1 | GRIPS SET RENTHAL (G087A) DARK GREY 0/000.530.9103 (u. 1) |
| 1A | THROTTLE GRIP TT (3291.03.00-1) 0/000.530.9100 (u. 1) |
| 2 | THROTTLE CABLE ENDURO 2018 0/000.550.9101 (u. 1) |
| 2A | THROTTLE CABLE ENDURO 2018 HOMOLOGATION 0/000.550.9102 (u. 1) |
| 3 | HANDLEBAR RENTHAL RACING 2010 0/000.170.9102 (u. 1) |
| 4 | FRONT BRAKE PUMP NISSIN=BC25922008/2 0/000.820.9106 (u. 1) |
| 5 | SET REARVIEW MIRROR (REG 81) 0/000.990.9100 (u. 1) |
| 6 | SET MAGURA CLUTCH PUMP, 9.5 (167) 0/000.830.9101 (u. 1) |
| 7 | LONG CLAMP FIX.INST.2237 0/000.680.0060 (u. 2) RUBBER CABLE HOLDER 0/000.360.9110 (u. 2) |
| 8 | STARTER CABLE ENDURO 2018 0/000.550.9100 (u. 1) |
| 9 | ENDURO BLACK HANDGUARD SET (QWEST) WITHOUT LOGO 0/000.770.9109 (u. 1) |

Obsolete

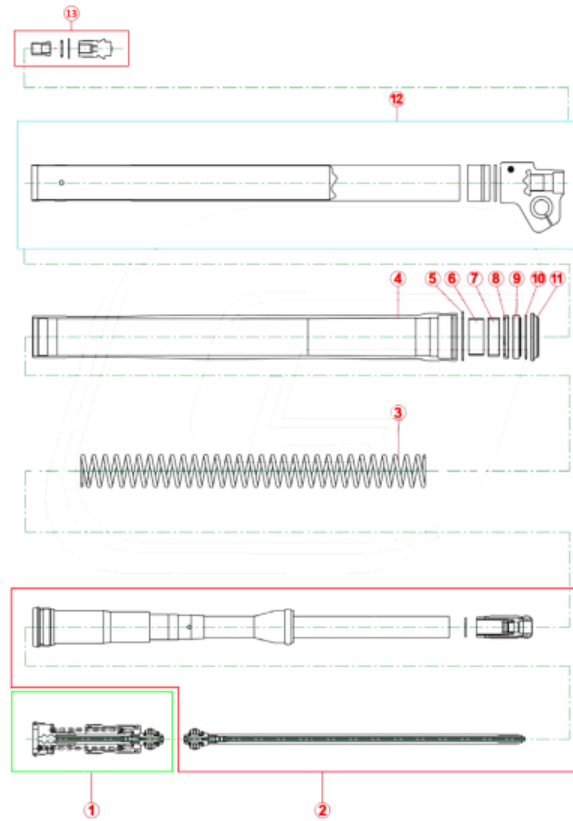
FORK



| | | |
|----|--|----------|
| 1 | SET SUSPENSION MR PRO 0/K00.130.9101 (u. 1) | |
| 2 | SCREW SPECIAL 8X25 GEOMET 10.9 0/000.460.9137 (u. 4) | Obsolete |
| | HEX. BOLT DIN 6921 TX40 M8x25 GRADE 10.9 GEOMET 0/000.460.9194 (u. 4) | |
| 3 | SET PROT.UPSIDE-DOWN FORK MR BLACK 0/000.220.9118 (u. 1) | |
| 4 | TORNILLO ESPECIAL ROSCA PLASTICO CABOTA HEXAGONAL T0806020 (u. 2) | Obsolete |
| | BOLT TANK-SEAT Ø6x23 (EJOT ref. 05100519) T0806023 (u. 2) | |
| | PLASTIC THREAD SCREW HEX.6 WITH WASHER 6x20 0/000.460.9178 (u. 2) | |
| | TANK SCREW - SEAT Ø6x23 0/000.460.9177 (u. 2) | |
| 5 | HEXAGONAL FLANGE SCREW DIN 6921 M6X8 WITH CENTERING 0/000.460.9162 (u. 6) | Obsolete |
| 6 | UPPER STEERING NUT 0/000.340.9102 (u. 1) | |
| 8 | KIT SUSPENSION BRACKETS MR PRO RED 0/000.660.9107 (u. 1) | |
| 9 | LOWER STEERING NUT 0/000.340.9101 (u. 1) | |
| 10 | STEERING BEARING DUST COVER BLACK 0/000.200.9100 (u. 1) | |
| 11 | LOWER STEERING WASHER 0/000.440.9101 (u. 1) | |
| 12 | STEERING BEARING 30205A 0/000.960.9101 (u. 1) | |

| | | |
|----|--|----------|
| 13 | STEERING BEARING LOWER 320/28 0/000.960.9100 (u. 1) | |
| 14 | STEERING O-RING 50X5 0/000.490.9102 (u. 1) | |
| 15 | STEERING CUP D.28 0/000.200.9101 (u. 1) | |
| 17 | STEERING AXLE MR 300 0/000.190.9100 (u. 1) | |
| 18 | HEXAGONAL SCREW DIN 6921 M8x40 THREAD 31 GRADE 10.9 GEOMET 0/000.460.9140 (u. 4) | |
| 19 | KIT UPPER HANDLEBAR BRIDGE BLACK MR 0/K00.350.9102 (u. 1) | |
| 20 | 10X45 SPECIAL BOLT G5 12.9 0/000.460.9113 (u. 2) | |
| 22 | NUT AUTOB.M10 PASO 1.50 WASHER DIN 6926 ZINC 8 0/000.340.9124 (u. 2) | Obsolete |
| | NUT DIN 6926 M10 GRADE 8 Z/WHITE 0/000.340.0182 (u. 2) | |
| 23 | ENDURO 2018 STEERING LOCK KIT BE15025CT-CLJ-1 (u. 1) | |
| 24 | SET MULTIFUNCTION "EVEREST" EC 2018 0/001.000.9100 (u. 1) | |
| 25 | SCHNORR WASHER M4 STAINLESS STEEL 0/000.440.0043 (u. 2) | |
| | WIDE FLANGE WASHER DIN 522 M4 STAINLESS STEEL 0/000.440.0044 (u. 2) | |
| 26 | SILENTBLOCK GROMMET FOR ODOMETER 0/000.360.4002 (u. 2) | |
| 27 | MULTIFUNCTION BRACKET EC 2018 0/000.980.9108 (u. 1) | Obsolete |
| 28 | MARKER BUSHING MR 0/000.480.9130 (u. 2) | |
| 29 | SCREW ISO 7380 TORX T-20 M4x20 STAINLESS STEEL 0/000.460.0079 (u. 2) | |
| 30 | HEX. HEAD SCREW DIN 6921 M6x7 WITH CENTERING 0/000.460.9161 (u. 1) | |
| | TORN.ESP. DIN 6921 Hex.8 TX30 C/Centrador 3,70 M6x7 Cal.10.9 GEOMET 0/000.460.9200 (u. 1) | |
| 32 | ENDURO KMS ACCOUNT SENSOR 0/001.010.9100 (u. 1) | |
| 33 | KIT ADHESIVE SUSPENSION RED KYB 200 x 87 mm (x2) 0/K00.390.9142 (u. 1) | |
| | BLACK SUSPENSION STICKER KIT KYB 200 x 87 mm (x2) 0/K00.390.9149 (u. 1) | |
| | SET STICKERS BAR KAYABA ENDURO 2018 BE95285GG-CLJ-1 (u. 1) | |
| 34 | REFLECTIVE STICKER 0/000.630.9102 (u. 2) | Obsolete |

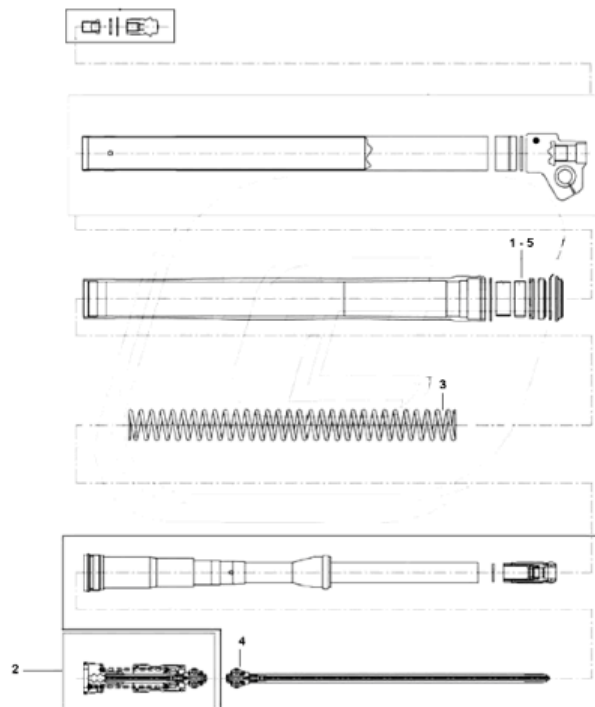
FORK PARTS



| | |
|-----|--|
| 1 | SET CAP CARTRIDGE SUSPENSION KAYABA ENDURO BE20240CT-CLJ-1 (u. 1) |
| 2 | HYDRAULIC SUSPENSION SET KAYABA ENDURO BE20220GG-CLJ-1 (u. 1) |
| 3A | SPRING SUSPENSION 4.0 KAYABA ENDURO BE20170CT-CLJ-1 (u. 2) |
| 3B | SPRING SUSPENSION 4.2 KAYABA ENDURO BE20171CT-CLJ-1 (u. 2) |
| 3C | SPRING SUSPENSION 4.4 KAYABA ENDURO BE20172CT-CLJ-1 (u. 2) |
| 4 | SET. SUSPENSION BOTTLE KAYABA ENDURO BE20100CT-CLJ-1 (u. 1) |
| 5 | RETAINING RING SUSPENSION KAYABA ENDURO BE20145GG-CLJ-1 (u. 1) |
| 6 | GLACIER FORK LEG SUSPENSION KAYABA ENDURO BE20150GG-CLJ-1 (u. 1) |
| 7 | GLACIER SUSPENSION BAR KAYABA ENDURO BE20151GG-CLJ-1 (u. 1) |
| 8 | WASHER SUSPENSION KYB ENDURO BE20186GG-CLJ-1 (u. 1) |
| 9 | SET SUSPENSION SEALS KAYABA ENDURO BE20140CT-CLJ-1 (u. 1) |
| 10 | SET CIRCLIP SUSPENSION KAYABA ENDURO BE20135GG-CLJ-1 (u. 1) |
| 11 | SET DUST BOOT SUSPENSION KAYABA ENDURO BE20130CT-CLJ-1 (u. 1) |
| 12A | SET RIGHT SUSPENSION BAR KAYABA ENDURO GP 2018 BE20110CT-CRB-1 (u. 1) |
| 12B | SET LEFT SUSPENSION BAR KAYABA ENDURO GP 2018 BE20115CT-CRB-1 (u. 1) |

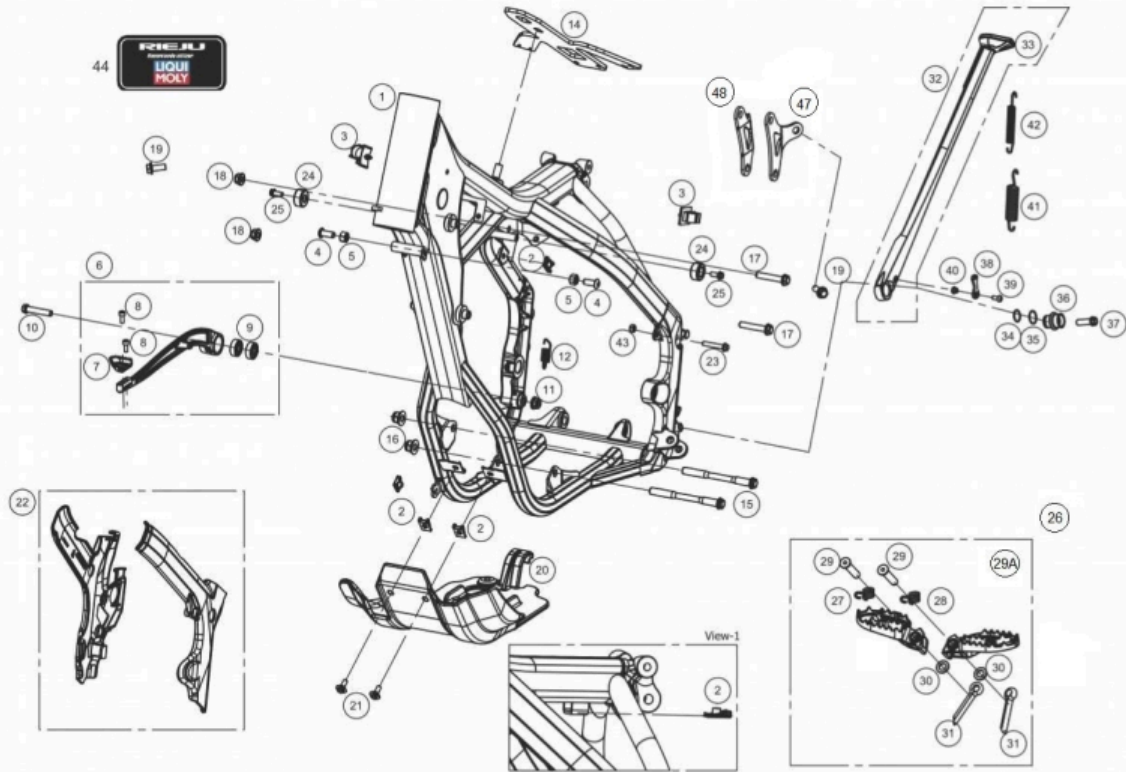
13

CAP EXTENSION ADJUSTMENT SUSPENSION KAYABA ENDURO
BE20120GG-CLJ-1 (u. 1)

KYB TOOLS


- | | |
|---|---|
| 1 | TOOL SEAL SUSPENSION KAYABA ENDURO BE20225GG-CLJ-1 (u. 1) |
| 2 | KEY CAP SUSPENSION KAYABA ENDURO BE21105GG-CLJ-1 (u. 1) |
| 3 | PISTON SUPPORT TOOL ADJUSTMENT SUSPENSION KAYABA ENDURO BE20230GG-CLJ-1 (u. 1) |
| 4 | TOOL CAP CARTRIDGE SUSPENSION KAYABA ENDURO BE21106GG-CLJ-1 (u. 1) |
| 5 | TOOL INSERT SEAL SUSPENSION KAYABA ENDURO BE20235GG-CLJ-1 (u. 1) |

FRAME

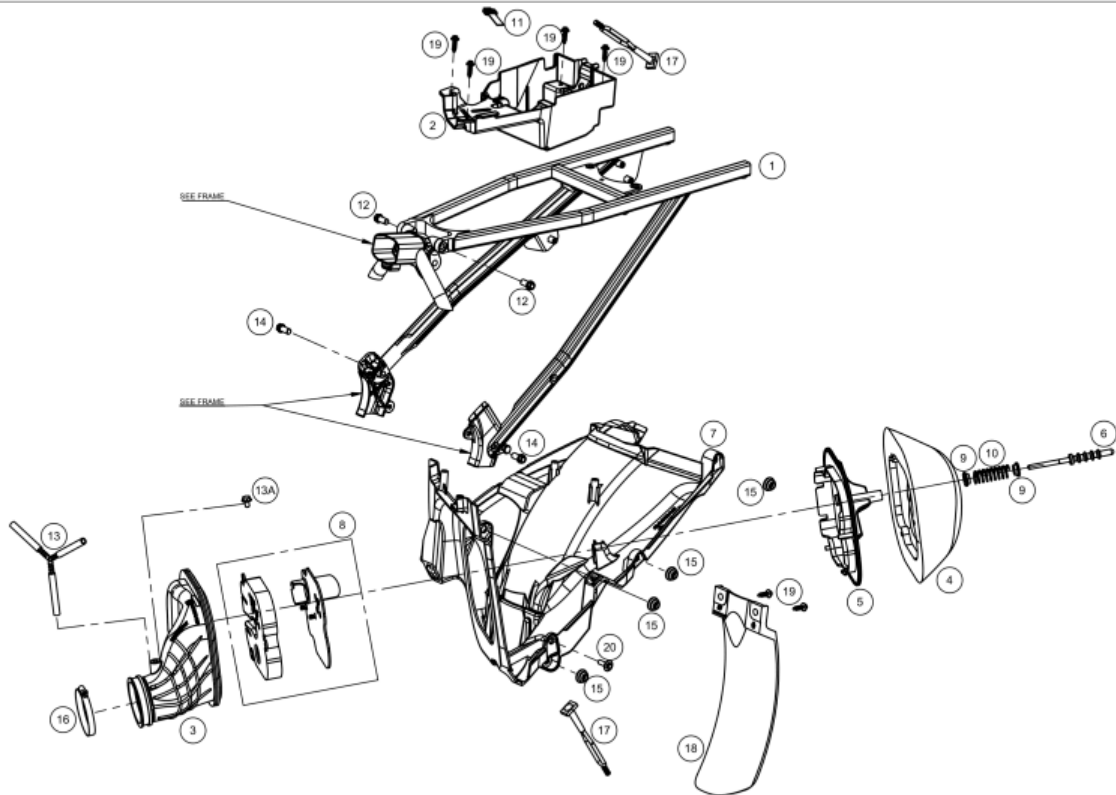


| | |
|----|---|
| 1 | CHASSIS EC 250 300 2T 2018 BLACK 0/000.010.9100 (u. 1) |
| 2 | NUT 956 QUICK M-6 HRC 40/48 0/000.340.9120 (u. 5) |
| 3 | CLIP (1E3J) MOUNTING BRACKET ENDURO 2018 0/000.630.9100 (u. 2) |
| 4 | ALLEN BOLT 8x25 ISO 7380-1 ZN 10.9 0/000.460.9157 (u. 2) |
| 5 | ZINC STEERING STOP NUT M8X13X8 ISO 4033 ZINC 0/000.340.9109 (u. 2) |
| 6 | BRAKE PEDAL ENDURO 2018 0/000.730.9100 (u. 1) |
| 7 | BRAKE PEDAL TIP BE130102510 (u. 1) |
| 9 | BEARING 628-2RS BE13025GG-CLJ-1 (u. 2) |
| 10 | SCREW DIN 912 Allen M8x45 Cal.8.8 Z/WHITE 0/000.460.0382 (u. 1) |
| 11 | M8 NUT DIN 6926 GRADE 8 ZINC/WHITE 0/000.340.0180 (u. 1) |
| 12 | BRAKE PEDAL SPRING 2014 0/000.470.9100 (u. 1) |
| 14 | RUBBER PROTECTOR GAS TANK ENDURO 2018 0/000.220.9116 (u. 1) |
| 15 | ENGINE SCREW M10x113 GEOMET 10.9 0/000.460.9132 (u. 2) |
| 16 | SELF-LOCKING NUT M10 PITCH 1.25 ZINC 8 0/000.340.9123 (u. 2) |
| 17 | HEXAGONAL FLANGE BOLT DIN 6921 M8x50 THREAD 20 CLASS 10.9 GEOMET 0/000.460.9141 (u. 1) |

| | | |
|-----|---|----------|
| | SPECIAL SCREW DIN 6921 HEX.10 M8x20 GRADE 10.9 GEOMET 0/000.460.9136 (u. 4) | |
| 19 | FLAT WASHER DIN 125/A M8 Z/WHITE 0/000.440.0160 (u. 4) | |
| | NUT DIN 6927 M8 GRADE 8 Z/WHITE 0/000.340.0188 (u. 4) | |
| 20 | ENDURO 2018 CRANKCASE PROTECTOR WITH HARDWARE 0/R00.220.9100 (u. 1) | |
| 21 | HEX BOLT DIN 6921 M6X12 WITH CENTERING FLANGE 0/000.460.9101 (u. 2) | Obsolete |
| 22 | SIDE CHASSIS PROTECTORS KIT MR BLACK 0/K00.220.9103 (u. 1) | |
| 23 | SPECIAL BOLT DIN 6921 HEX.8 M6X35 CAL.10.9 GEOMET 0/000.460.9124 (u. 1) | |
| 24 | SILENTBLOCK+WASHER FUEL TANK 0/000.360.9106 (u. 2) | |
| 25 | HEX BOLT WASHER 6x14 (Fork Brace) DIN 6921 0/000.460.9118 (u. 2) | Obsolete |
| | SCREW DIN 6921 HEX.8 TX30 M6x14 CAL.10.9 GEOMET 0/000.460.9215 (u. 2) | |
| 26 | SET FOOTREST ENDURO PREMIUM 0/000.740.9103 (u. 1) | |
| 27 | FOOTREST SPRING S3 RH MR (569-494/495) 0/000.470.9111 (u. 1) | |
| 28 | FOOTREST SPRING S3 LH 0/000.470.9112 (u. 1) | |
| 29 | FOOTPEG PIN S3 MR 0/000.840.9104 (u. 2) | |
| 29a | SPRING KIT + FOOTPEG PINS S3 MR 0/K00.470.9100 (u. 1) | |
| 30 | WASHER 10,5 X 20 X 2 ZINC PLATED DIN 125 0/000.440.9133 (u. 2) | |
| 31 | PIN DIN 94 0/000.840.9100 (u. 2) | |
| 32 | SET STAND MR RACING COMPLETE 0/K00.210.9100 (u. 1) | |
| 33 | BASE STAND ENDURO 2018 0/000.570.9100 (u. 1) | |
| 34 | O-RING BUSHING STAND 15x1.5 0/000.490.9100 (u. 1) | |
| 35 | O-RING BUSHING STAND 17x1.5 0/000.490.9101 (u. 1) | |
| 36 | COMPETITION STAND BUSHING 0/000.480.9129 (u. 1) - <i>NO HOMOLOG</i> | |
| | BUSH FIXING STAND ENDURO 2018 0/000.480.9102 (u. 1) | |
| 37 | SCREW ISO 7380 Torx T-40 M8x25 STAINLESS STEEL 0/000.460.0081 (u. 1) - <i>NO HOMOLOG</i> | |
| | SCREW SPECIAL 8X25 GEOMET 10.9 0/000.460.9137 (u. 1) | Obsolete |
| | HEX. BOLT DIN 6921 TX40 M8x25 GRADE 10.9 GEOMET 0/000.460.9194 (u. 1) | |
| 38 | ENDURO STAND 2018 0/000.830.9100 (u. 1) | |

| | | |
|----|--|----------|
| 39 | ALLEN BOLT ULS 5x16 ISO 7380-1 ZINC 12.9 0/000.460.9155 (u. 1) SCREW ISO 7380 Torx T-25 with washer M5x16 STAINLESS STEEL 0/000.460.0083 (u. 1) | Obsolete |
| 40 | BUSH CARRY STAND ENDURO 0/000.480.9103 (u. 1) | |
| 41 | EXTERIOR SPRING KICKSTAND ENDURO 2018 0/000.470.9103 (u. 1) | |
| 42 | INNER SPRING KICKSTAND ENDURO 2018 0/000.470.9104 (u. 1) | |
| 43 | NYLOCK NUT M-6 DIN 985 ZN CR3 6 0/000.340.9113 (u. 1) | |
| 44 | CALCA RECOMENDACIÓN ACEITE 0/000.390.0000 (u. 1) | Obsolete |
| 47 | LH CYLINDER HEAD TIE ROD MR 2022 0/000.980.9126 (u. 1) | |
| 48 | CYLINDER HEAD TIE ROD RH MR 2022 0/000.980.9125 (u. 1) | |

REAR FRAME

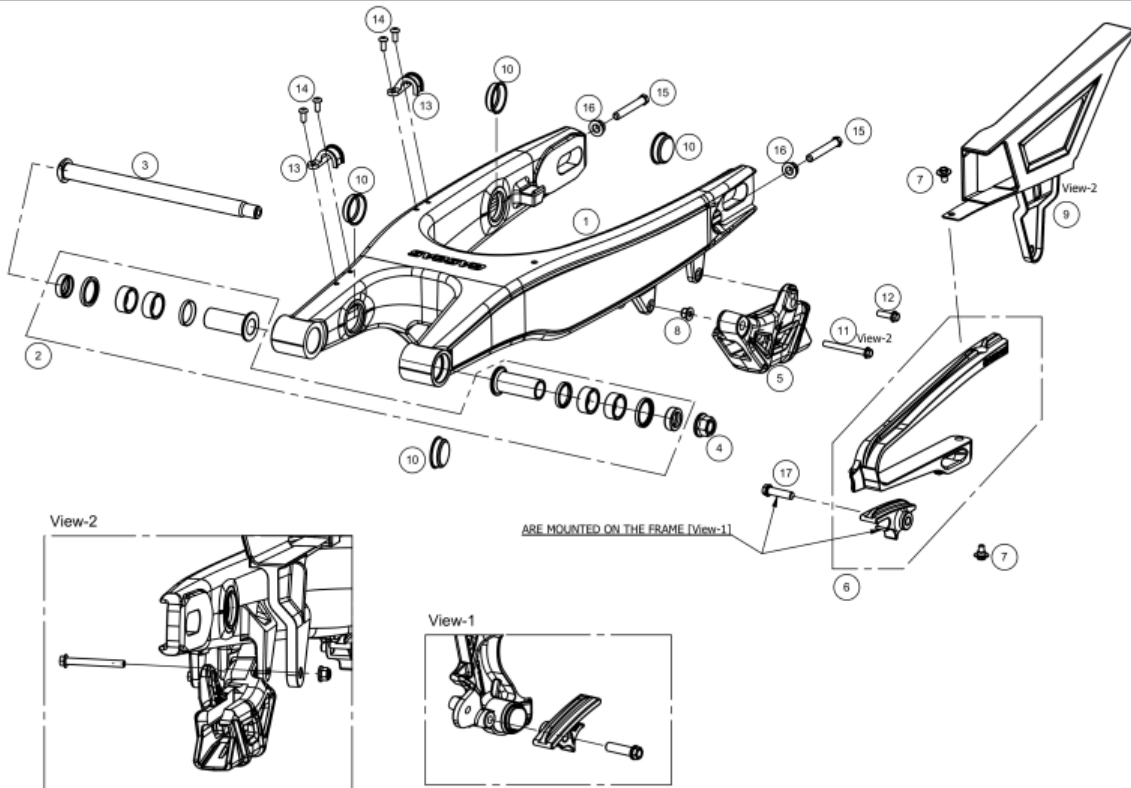


| | |
|-----|--|
| 1 | MR 2024 SUBCHASSIS KIT 0/K00.010.9102 (u. 1) |
| 2 | BATTERY BRACKET -CDI-STARTER RELAY EC 2018 0/000.570.9101 (u. 1) |
| 3 | MANIFOLD C.FILTER.EC 2018 0/000.360.9113 (u. 1) |
| 4 | AIR FILTER FWF PROLINE 0/001.070.9101 (u. 1) |
| 5 | SPIDER FILTER EC 2018 0/000.570.9104 (u. 1) |
| 6 | AIR FILTER SUPPORT ROD 0/000.980.9117 (u. 1) |
| 7 | FILTER ASSY.ENDURO 2018 0/000.570.9103 (u. 1) |
| 8 | AIR FILTER RESTRICTOR KIT BE79800CT-CLJ-1 (u. 1) |
| 9 | NYLON STOP WASHER SPRING WITH FILTER EC-2007 0/000.440.9100 (u. 2) |
| 10 | FILTER ROD SPRING C.EC-2007 0/000.470.9105 (u. 1) |
| 11 | CDI HOLD-DOWN RUBBER BAND 0/000.360.9101 (u. 1) |
| 12 | HEX. BOLT DIN 6921 TX40 M8x25 GRADE 10.9 GEOMET 0/000.460.9194 (u. 2) |
| | SCREW SPECIAL 8X25 GEOMET 10.9 0/000.460.9137 (u. 2) |
| 13 | SET BLOW BY VAPOR TUBE ENDURO 2018 0/000.290.9106 (u. 1) |
| 13A | M6X12 BLACK SPECIAL PLASTIC SCREW 0/000.460.9109 (u. 1) |

Obsolete

| | | |
|----|--|----------|
| 14 | SPECIAL SCREW DIN 6921 HEX.10 M8X16 CAL.10.9 GEOMET 0/000.460.9135 (u. 2) | |
| 15 | SILENTBLOCK NUMBER PLATE LEFT ENDURO 2018 0/000.360.9109 (u. 4) | |
| 16 | CLAMP 50-70/9 AIR FILTER/CARB INOX FE 0/000.680.9101 (u. 1) | |
| 17 | RUBBER STAND EC 2015 0/000.360.9100 (u. 2) | |
| 18 | PROT.SHOCK ABSORBER EC 2018 0/000.220.9117 (u. 1) | |
| 19 | PLASTIC THREAD SCREW HEX.6 WITH WASHER 6x20 0/000.460.9178 (u. 6) | |
| | BOLT TANK-SEAT Ø6x23 (EJOT ref. 05100519) T0806023 (u. 6) | |
| | TORNILLO ESPECIAL ROSCA PLASTICO CABOTA HEXAGONAL T0806020 (u. 6) | Obsolete |
| | TANK SCREW - SEAT Ø6x23 0/000.460.9177 (u. 6) | |
| 20 | BOLT ESP. 6X16 DRACOMET 0/000.460.9100 (u. 1) | Obsolete |
| 21 | CRANKCASE VENT NIPPLE D.3 0/000.630.9105 (u. 1) | |

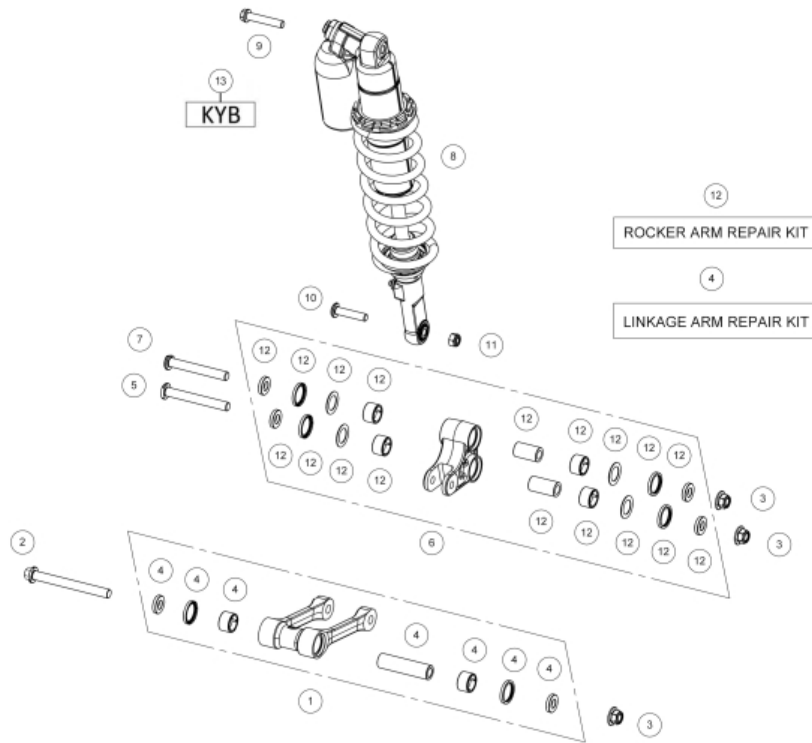
SWINGARM



| | | |
|----|--|----------|
| 1 | SWINGARM MR 2025 PAINTED 0/P00.020.9100 (u. 1) | |
| 2 | SWINGARM REPAIR KIT BE41000CT-CLJ-1 (u. 1) | |
| 3 | AXLE SWINGARM ENDURO 2018 0/000.190.9101 (u. 1) | |
| 4 | SWINGARM NUT TT 49650 0/000.340.9103 (u. 1) | |
| 5 | CHAIN GUIDE MR 0/000.710.9100 (u. 1) | |
| 6 | CHAIN SLIDER KIT 3 SET. BE43015CT-CLJ-1 (u. 1) | Obsolete |
| | CHAIN SLIDER ASSEMBLY MR 300i 0/K00.360.9118 (u. 1) | |
| 7 | HEX. HEAD SCREW DIN 6921 M6x7 WITH CENTERING 0/000.460.9161 (u. 2) | |
| | TORN.ESP. DIN 6921 Hex.8 TX30 C/Centrador 3,70 M6x7 Cal.10.9 GEOMET 0/000.460.9200 (u. 2) | |
| 8 | NUT DIN 6926 M6 GRADE 8 Z/WHITE 0/000.340.0170 (u. 1) | |
| | TUERCA AUTOBLOC. M-6 C/ARAND DIN-6926 ZINC 0/000.340.9117 (u. 1) | Obsolete |
| 9 | CHAIN GUARD HOMOL.EC 2018 0/000.220.9107 (u. 1) | |
| 10 | CAP SWINGARM EC 2018 (465658) 0/000.410.9100 (u. 4) | |
| 11 | SPECIAL SCREW DIN 6921 HEX.8 M6x55 CAL.10.9 GEOMET 0/000.460.9127 (u. 1) | Obsolete |
| 12 | HEXAGONAL FLANGE SCREW DIN 6921 TX30 M6x20 GRADE 10.9 GEOMET 0/000.460.9181 (u. 1) | |
| | BOLT 6x20 DIN 6921 GEOMET 10.9 0/000.460.9120 (u. 1) | Obsolete |

| | |
|-----------|---|
| 13 | SWINGARM HOSE HOLDER 0/000.630.9101 (u. 2) |
| 14 | BOLT + WASHER 5x15 DIN 6921 GEOMET 10.9 0/000.460.9115 (u. 4) |
| 15 | FSR450-2007 WHEEL TENSIONER SCREW 0/000.460.9105 (u. 2) |
| 16 | M8 SERRATED FLANGE NUT DIN 6923 STEEL 8 0/000.340.9118 (u. 2) |
| 17 | HEXAGONAL FLANGE BOLT DIN 6921 M8x35 GRADE 10.9 GEOMET 0/000.460.9139 (u. 1) |

SHOCK ABSORBER



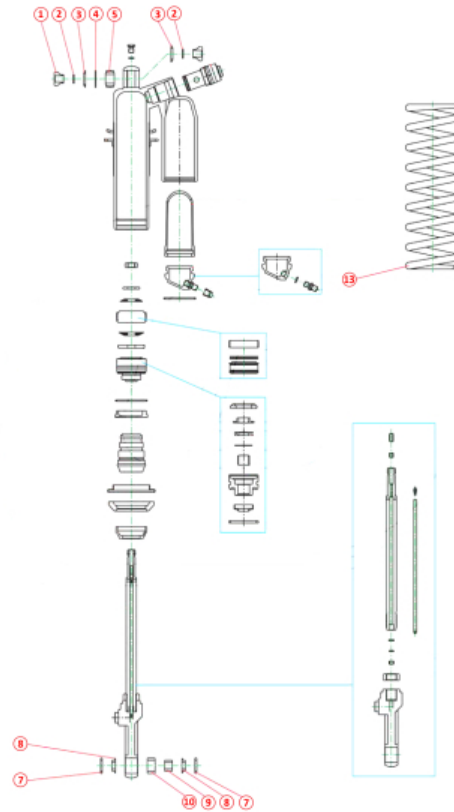
| | | |
|----|--|----------|
| 1 | SET LINKAGE ENDURO 2018 BE34000CT-CLJ-1 (u. 1) | Obsolete |
| | MR 300 LINKAGE 0/K00.980.9102 (u. 1) | |
| 2 | SCREW AXLE LINK CHASSIS (CM12X1.25X116.2, 12.9) 0/000.460.9102 (u. 1) | |
| 3 | NUT M12x1.25 DIN 6927 ZINC 0/000.340.9115 (u. 3) | |
| 4 | CONNECTING ROD REPAIR KIT ENDURO 2018 BE32035CT-CLJ-1 (u. 1) | |
| 5 | SCREW AXLE LINK ROCKER 12X95.5 12.9 ISO 898-1 0/000.460.9103 (u. 1) | |
| 6 | SET ROCKER ENDURO 2018 BE32000CT-CLJ-1 (u. 1) | Obsolete |
| | MR ROCKER SET 0/K00.980.9101 (u. 1) | |
| 7 | BOLT AXLE SWINGARM 22X92.5 0/000.460.9104 (u. 1) | |
| 8 | SHOCK ABSORBER EC 2018 KYB 0/000.180.9100 (u. 1) | |
| 9 | BOLT 10x60 ISO 898-1 GEOMET 10.9 0/000.460.9131 (u. 1) | |
| | PERNO 10X55 10.9 GEOMET ISO 898-1 T0210055 (u. 1) | Obsolete |
| 10 | SCREW LOWER AXLE SHOCK ABSORBER 20X48.5 0/000.460.9107 (u. 1) | |
| 11 | SELF-LOCKING NUT M10X125 DIN 985 ZINC 8 0/000.340.9110 (u. 1) | |
| 12 | ROCKER ARM REPAIR KIT EC 2018 BE34035CT-CLJ-1 (u. 1) | |

13

RED STICKER SHOCK ABSORBER KYB
0/000.390.9158 (u. 1)

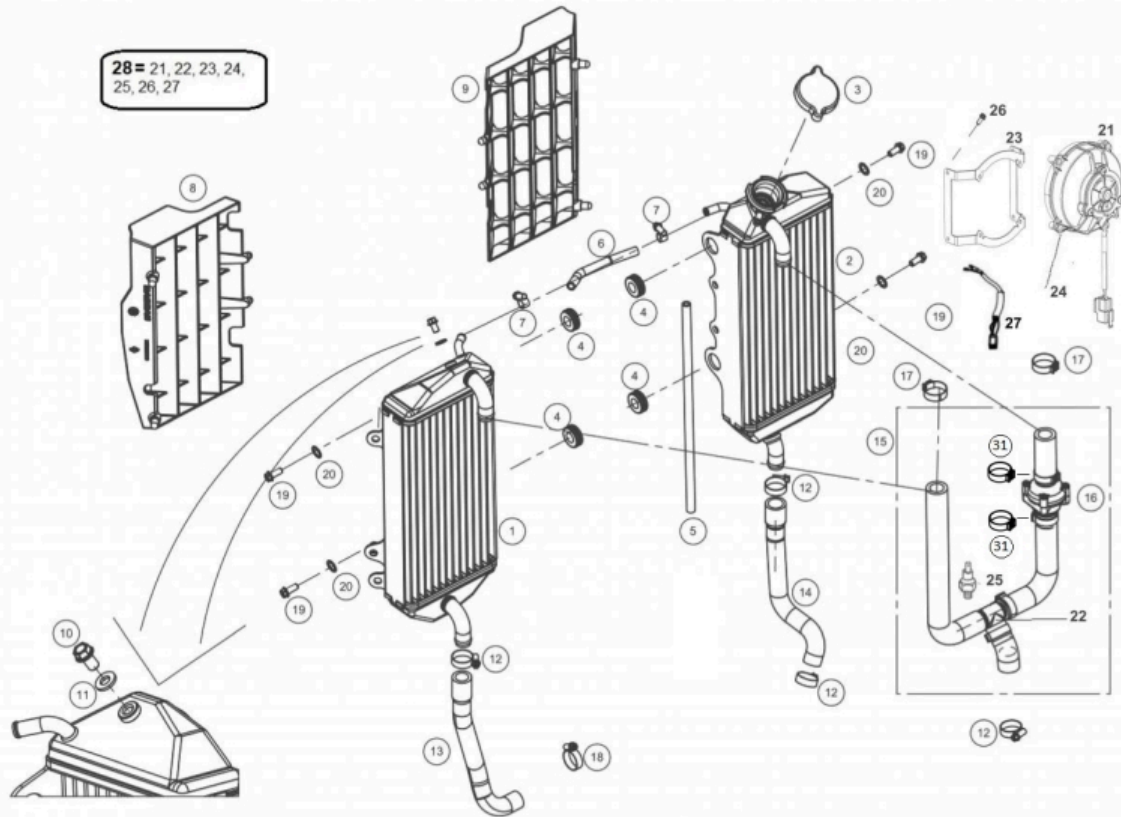
BLACK SHOCK ABSORBER STICKER KYB
0/000.390.9159 (u. 1)

SHOCK ABSORBER



| | |
|----|--|
| 1 | UPPER BALL JOINT BUSHING KAYABA ENDURO SUSPENSION BE20210GG-CLJ-1 (u. 1) |
| 2 | O-RING BALL JOINT SUSPENSION KAYABA ENDURO BE30025GG-CLJ-1 (u. 3) |
| 3 | SEAL UPPER BALL JOINT SUSPENSION KAYABA ENDURO BE23295GG-CLJ-1 (u. 3) |
| 4 | WASHER BALL-JOINT UPPER SUSPENSION KAYABA ENDURO BE232990GG-CLJ-1 (u. 1) |
| 5 | UPPER BALL JOINT SHOCK ABSORBER KAYABA ENDURO BE23250GG-CLJ-1 (u. 1) |
| 7 | DUST COVER BALL-JOINT LOWER KAYABA ENDURO BE23280GG-CLJ-1 (u. 2) |
| 8 | BUSHING LOWER BALL JOINT SUSPENSION KAYABA ENDURO BE23285GG-CLJ-1 (u. 1) |
| 9 | NEEDLE BEARING LOWER SUSPENSION KAYABA ENDURO BE36060GG-CLJ-1 (u. 1) |
| 10 | BUSHING LOWER SUSP. KAYABA ENDURO BE23300GG-CLJ-1 (u. 1) |
| 13 | SPRING SHOCK ABSORBER 46 mm 52n KAYABA SUSPENSION ENDURO BE30011GG-CLJ-1 (u. 1) |
| | SPRING SHOCK ABSORBER 46 mm 50n KAYABA SUSPENSION ENDURO BE30010GG-CLJ-1 (u. 1) |
| | SPRING SHOCK ABSORBER 46 mm 54n KAYABA SUSPENSION ENDURO BE30012GG-CLJ-1 (u. 1) |

RADIATOR

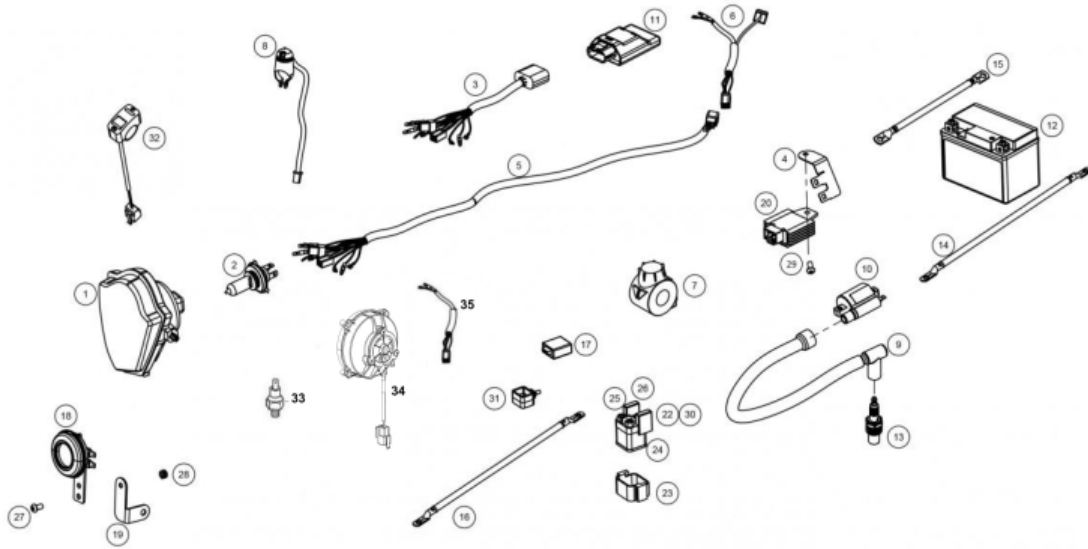


| | |
|----|---|
| 1 | LEFT RADIATOR ENDURO 2019 0/000.580.9103 (u. 1) |
| 2 | RIGHT RADIATOR + 2 SILENTBLOCK 2019 0/000.580.9102 (u. 1) |
| 3 | RADIATOR CAP MR FLOREADO 1.8 REDUCED 0/000.410.9112 (u. 1) |
| 4 | RADIATOR STOP RUBBER 49100025 BIE500132031 (u. 4) |
| 5 | RADIATOR BREATHER HOSE 5X8 - 39CM 0/000.290.9117 (u. 1) |
| 7 | WORM GEAR CLAMP 10-16 (10107270010) STAINLESS STEEL FE 0/000.680.9108 (u. 2) |
| 8 | LEFT RADIATOR GRILLE ENDURO 2018 0/000.220.9113 (u. 1) |
| 9 | RADIATOR GRILLE RIGHT ENDURO 2018 0/000.220.9112 (u. 1) |
| 10 | SCREW SPECIAL 6X10+WASHER GEOMET 10.9 0/000.460.9133 (u. 1) |
| 11 | COPPER WASHER 6X10X1.5 WATER PUMP BOLT 0/000.440.9122 (u. 1) |
| 12 | WORM GEAR CLAMP 16-27 (10107270027) STAINLESS STEEL 0/000.680.9107 (u. 4) |
| 15 | COMPLETE HOSE KIT MR RACING 0/R00.290.9102 (u. 1) |
| 16 | RADIATOR THERMOSTAT 0/001.010.9103 (u. 1) |
| 17 | COBRA CLAMP 21 W4 0/000.680.3009 (u. 2) |
| 18 | HOSE CLAMP COBRA-19 INOX A2 0/000.680.9104 (u. 1) |

Obsolete

| | | |
|----|--|----------|
| 19 | HEX BOLT WASHER 6x14 (Fork Brace) DIN 6921 0/000.460.9118 (u. 4) | Obsolete |
| | SCREW DIN 6921 HEX.8 TX30 M6x14 CAL.10.9 GEOMET 0/000.460.9215 (u. 4) | |
| 20 | WASHER DIN 9022 M6 GRADE A2 STAINLESS STEEL 0/000.440.9141 (u. 4) | |
| | WASHER 6X20X2 0/000.440.9112 (u. 4) | |
| 21 | RADIATOR FAN 0/005.060.9100 (u. 1) | |
| 22 | T-TYPE CONNECTOR MR RADIATOR 0/000.290.9119 (u. 1) | |
| 23 | FAN SUPPORT MR 0/000.980.9124 (u. 1) | |
| 24 | SCREW CELO RHS81P 5X12 TORX Z/WHITE 0/000.460.0090 (u. 4) | |
| 25 | TEMPERATURE SENSOR 87° M14x1.5 0/001.010.9102 (u. 1) | |
| 26 | RIVET DIN 7337/B 4.8x10 L/BLACK 0/000.330.0053 (u. 4) | |
| 27 | ELECTRIC FAN INSTALLATION MR 0/000.160.9111 (u. 1) | |
| 28 | ELECTROFAN KIT MR + BRACKET + INSTALLATION 0/K05.060.9100 (u. 1) | |
| 31 | CLAMP COBRA Ø26/8 W4 0/000.680.0567 (u. 2) | |

ELECTRICAL PARTS

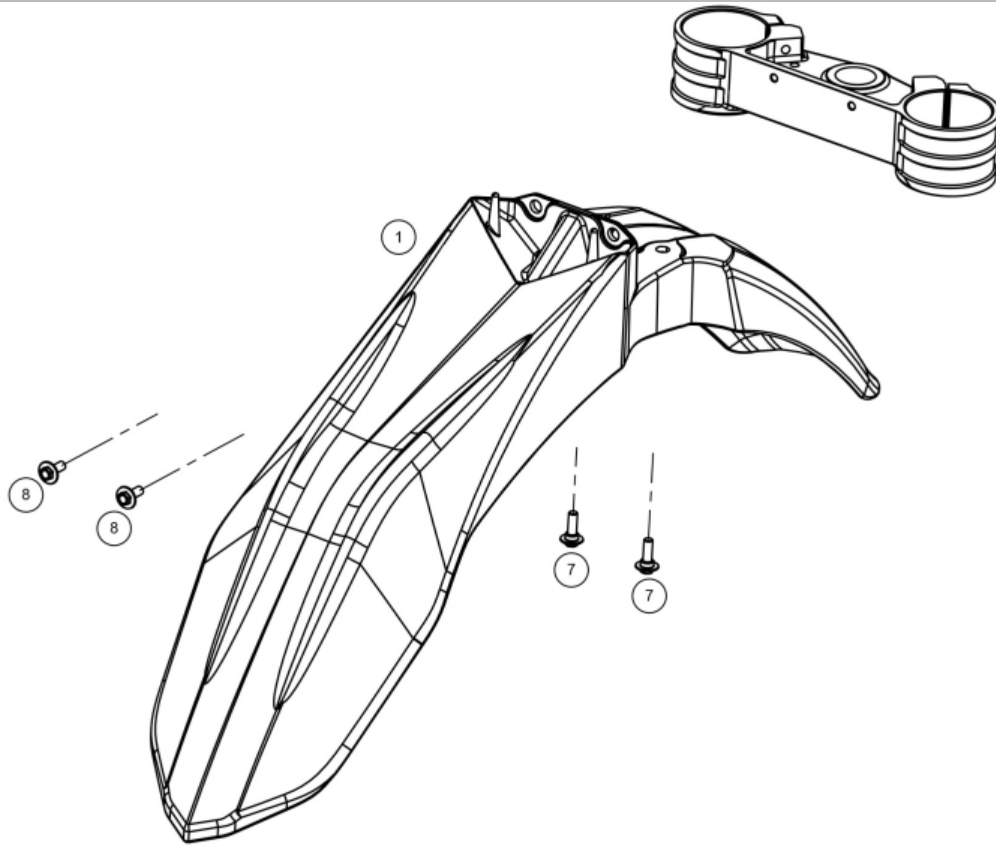


| | |
|----|---|
| 1 | HEADLIGHT ASSEMBLY WITH POSITION LIGHT PT-107 0/000.600.0270 (u. 1) |
| 2 | HS1 12V 35/35W HALOGEN BULB L300125 (u. 1) |
| 3 | SPARK INSTALLATION 0/000.160.9101 (u. 1) |
| 4 | BRACKET FIX CONNECTORS IGNITION ENDURO 2018 0/000.980.9110 (u. 1) |
| 5 | MAIN ELECTRICAL INSTALLATION ELECTRIC FAN MR 0/000.160.9112 (u. 1) |
| 6 | LICENSE PLATE LIGHT INSTALLATION ENDURO 2018 0/000.160.9103 (u. 1) |
| 7 | STARTER SWITCH ENDURO 2018 0/000.720.9101 (u. 1) |
| 8 | KILL SWITCH TRIAL 2015 0/000.720.9102 (u. 1) |
| 9 | SPARK PLUG CAP LB05EMH=BT27934000 0/005.110.9100 (u. 1) |
| 10 | IGNITION COIL 0/005.070.9100 (u. 1) |
| 11 | SET CDI PROGRAMMED EC 250-300 GP 2019 EE51100CT-CSK-2 (u. 1) |
| 12 | BATTERY BS LITHIUM - BSLI-02 0/000.900.9103 (u. 1) BATTERY LITIUM 4.0 Ah, HJTZ7S-FPZ 0/000.900.9100 (u. 1) |
| 13 | SPARK PLUG W24ESRU/BR8ES 0/005.110.9101 (u. 1) |
| 14 | POSITIVE BATTERY CABLE EC 2019 0/000.160.9105 (u. 1) |
| 15 | NEGATIVE BATTERY CABLE 0/000.160.9104 (u. 1) |
| 16 | STARTER MOTOR RELAY CABLE 2019 0/000.160.9107 (u. 1) |
| 17 | MODULE SCHOTTKY DIODES 0/001.200.9100 (u. 1) |
| 18 | HORN CLASS II TYPE DL128J-12V 0/000.420.5011 (u. 1) |

Obsolete

| | | |
|----|--|----------|
| 19 | ZINC-PLATED BRACKET HORN ENDURO 2018 0/000.980.9107 (u. 1) | |
| 20 | REGULATOR 0/005.070.9101 (u. 1) | |
| 21 | ELECTRIC FAN INSTALLATION MR 0/000.160.9111 (u. 1) | |
| 22 | RC19-025 Relay Assy Power W/Stay 0/001.200.9101 (u. 1) | |
| | STARTER RELAY (RC19-005 ^a) STARTER RELAY 00020 A7343-888-00-000 0/001.200.9103 (u. 1) | |
| 23 | RUBBER BRACKET RELAY STARTER FIXED VERTICAL EE85205GG-CAK-1 (u. 1) | |
| 24 | FUSE PROTECTIVE COVER (B4694-730-00-001) EE851052511 (u. 2) | |
| 25 | DENTED WASHER DIN 6798/J M6 GRADE A2 STAINLESS STEEL 0/000.440.0240 (u. 2) | |
| | ARANDELA EN ABANICO DIN 6798 ZINC 0/000.440.9127 (u. 2) | Obsolete |
| 26 | SCREW SPECIAL 6X10+WASHER GEOMET 10.9 0/000.460.9133 (u. 2) | Obsolete |
| 27 | BOLT ESP 6X12 WITH WASHER AND LOCKING ISO 7380-2 STAINLESS A2 0/000.460.9108 (u. 1) | |
| 28 | NUT 956 QUICK M-6 HRC 40/48 0/000.340.9120 (u. 1) | |
| 29 | HEX BOLT WASHER 6x14 (Fork Brace) DIN 6921 0/000.460.9118 (u. 1) | Obsolete |
| | SCREW DIN 6921 HEX.8 TX30 M6x14 CAL.10.9 GEOMET 0/000.460.9215 (u. 1) | |
| 30 | UNIVERSAL FUSE 20A 0/000.910.9100 (u. 2) | |
| 31 | RUBBER SUPPORT FOR DIODE MODULE 0/000.360.9111 (u. 1) | |
| 32 | DUAL MAP SWITCH 0/000.720.9100 (u. 1) | |
| 33 | TEMPERATURE SENSOR 87° M14x1.5 0/001.010.9102 (u. 1) | |
| 34 | RADIATOR FAN 0/005.060.9100 (u. 1) | |
| 35 | ELECTRIC FAN INSTALLATION MR 0/000.160.9111 (u. 1) | |

FRONT FENDER



1 FRONT FENDER MR BLACK
0/000.050.9100 (u. 1)

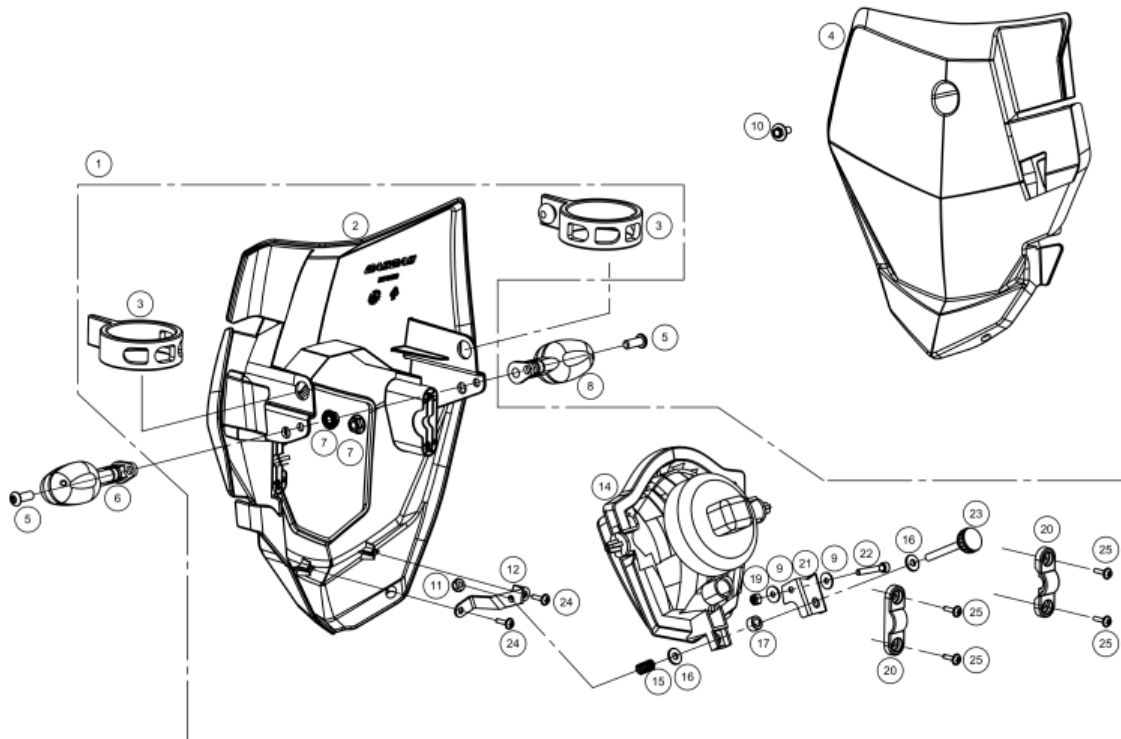
7 BOLT ESP. 6X16 DRACOMET
0/000.460.9100 (u. 2)

Obsolete

8 TORN.ESP. DIN 6921 Hex.8 TX30 C/Centrador 3,70 M6x7 Cal.10.9 GEOMET
0/000.460.9200 (u. 2)

HEX. HEAD SCREW DIN 6921 M6x7 WITH CENTERING
0/000.460.9161 (u. 2)

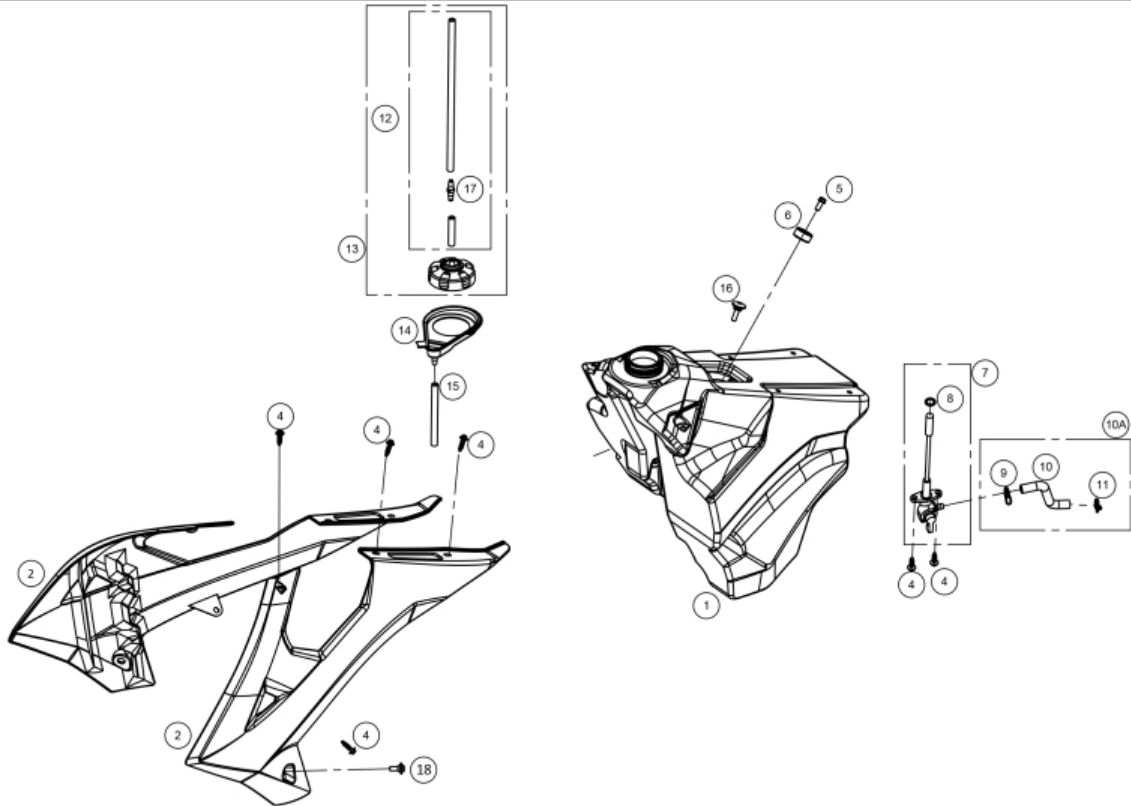
FRONT LIGHT



| | |
|----|---|
| 1 | COMPLETE HEADLIGHT KIT MR BLACK 0/K00.620.9101 (u. 1) |
| 2 | HEADLIGHT HOLDER MR BLACK 0/000.620.9101 (u. 1) |
| 3 | HEADLIGHT RUBBER HOLDER D.38 PP HP2070291G 0/000.360.9102 (u. 2) |
| 4 | FRONT NUMBER PLATE CROSS COUNTRY 2018 WHITE 0/000.570.9113 (u. 1) |
| 5 | 6X16 ULS SCREW ISO 7380-1 BLACK 12.9 0/000.460.9156 (u. 2) |
| 6 | LEFT FRONT INDICATOR 2005 0/000.150.9101 (u. 1) |
| 7 | NUT + WASHER M-6 SERRATED DIN 6923 ZINC 8 0/000.340.9116 (u. 2) |
| 8 | RIGHT FRONT INDICATOR 0/000.150.9100 (u. 1) |
| 9 | 4X12X1 FLAT WASHER DIN 9021 ZN AG CR3 0/000.440.9119 (u. 2) FLAT WASHER DIN 9021 M4 Z/WHITE 0/000.440.0021 (u. 2) |
| 10 | TORN.ESP. DIN 6921 Hex.8 TX30 C/Centrador 3,70 M6x7 Cal.10.9 GEOMET 0/000.460.9200 (u. 1) HEX. HEAD SCREW DIN 6921 M6x7 WITH CENTERING 0/000.460.9161 (u. 1) |
| 11 | SELF-LOCKING NUT M5 LOW DIN-985 ZINC 8 0/000.340.9112 (u. 1) |
| 12 | HEADLIGHT ADJUSTMENT PLATE 0/000.980.9103 (u. 1) |
| 13 | PLASTIC SCREW 4X10 ZN BLUE 0/000.460.9159 (u. 2) |

| | |
|----|--|
| 14 | HEADLIGHT ASSEMBLY WITH POSITION LIGHT PT-107 0/000.600.0270 (u. 1) |
| 15 | ADJUSTMENT SCREW HEADLIGHT SPRING 0/000.470.9107 (u. 1) |
| 16 | WASHER 5X12X1.5 DIN 125A ZINC 0/000.440.9121 (u. 2) |
| 17 | ALUMINIUM BUSHING ø5.5X10X6 0/000.480.9128 (u. 1) |
| 19 | SELF-LOCKING NUT M4 DIN 985 ZINC 8 0/000.340.9111 (u. 1) |
| 20 | HEADLIGHT BRACKET MR BLACK INJ. 0/000.980.9127 (u. 2) |
| 21 | 2012 EC HEADLIGHT REINFORCEMENT TAB 0/000.980.9106 (u. 1) |
| 22 | ALLEN 4X25 DIN 912 ZINC 0/000.460.9144 (u. 1) |
| 23 | REGULATOR BOLT HEADLIGHT ELESA B.193/18 P M5X40 0/000.460.9106 (u. 1) |
| 24 | PLASTIC SCREW 4X10 ZN BLUE 0/000.460.9159 (u. 2) |
| 25 | SPECIAL PLASTIC SCREW 4X12 CELO RF87T VERZINKT 0/000.460.9160 (u. 4) |

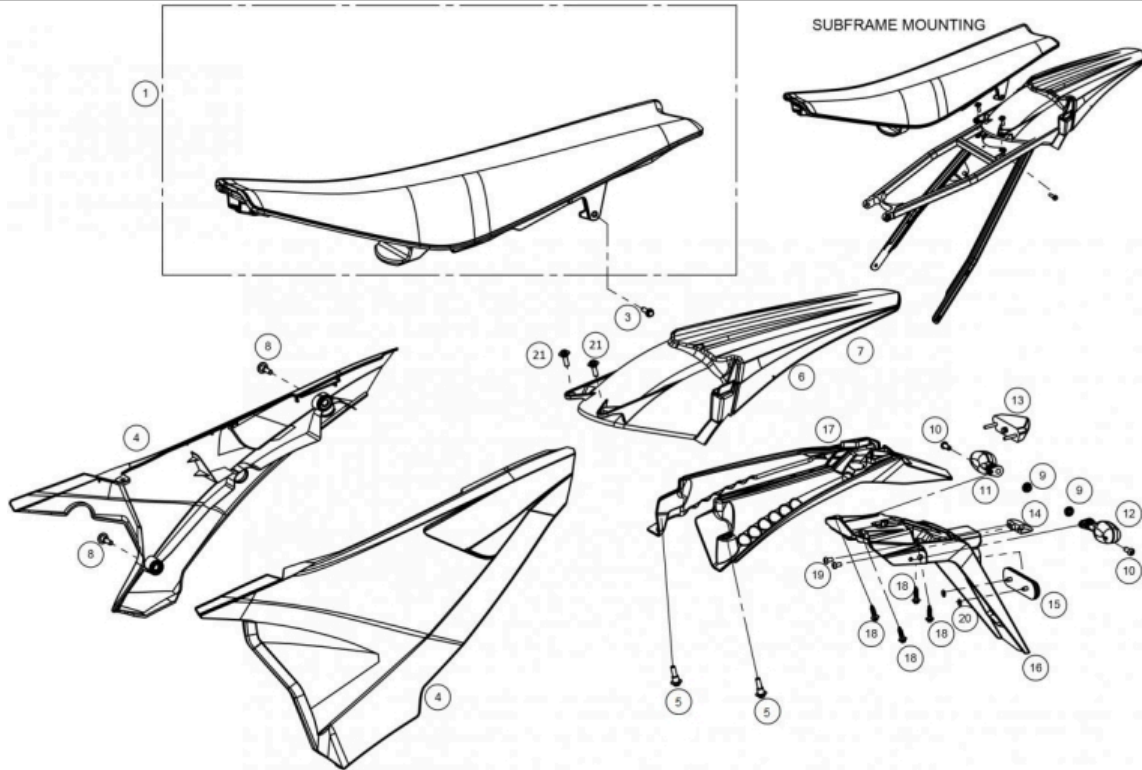
TANK



| | | |
|-----|--|-----------------|
| 1 | FUEL TANK EUROPA (XPE) ENDURO 2018 0/000.030.9100 (u. 1) | |
| 2 | RADIATOR PROTECTION PLATE KIT BLACK MR 0/K00.570.9102 (u. 1) | |
| | BOLT TANK-SEAT Ø6x23 (EJOT ref. 05100519) T0806023 (u. 10) | |
| 4 | PLASTIC THREAD SCREW HEX.6 WITH WASHER 6x20 0/000.460.9178 (u. 10) | |
| | TANK SCREW - SEAT Ø6x23 0/000.460.9177 (u. 10) | |
| | TORNILLO ESPECIAL ROSCA PLASTICO CABOTA HEXAGONAL T0806020 (u. 10) | Obsolete |
| 5 | HEX BOLT WASHER 6x14 (Fork Brace) DIN 6921 0/000.460.9118 (u. 1) | Obsolete |
| | SCREW DIN 6921 HEX.8 TX30 M6x14 CAL.10.9 GEOMET 0/000.460.9215 (u. 1) | |
| 6 | SILENTBLOCK+WASHER AND GASOLINE TANK GASKET 0/000.360.9105 (u. 1) | |
| 7 | FUEL PETCOCK ENDURO 2018 0/000.370.9100 (u. 1) | |
| 8 | 10X2.5 FUEL TAP O-RING B740120 (u. 1) | |
| 9 | SPRING CLAMP M-11.6-12.3 ZINC CR3 0/000.680.9102 (u. 1) | |
| 10 | FUEL TUBE ENDURO 2018 HOMOLOGATION 0/000.290.9109 (u. 1) | |
| 10A | FUEL TUBE ENDURO 2018 0/000.290.9108 (u. 1) | |
| 11 | SPRING CLAMP M-12X1.5 STEEL ZN 0/000.680.9103 (u. 1) | |

| | | |
|----|--|----------|
| 12 | SET FUEL TANK VENT HOSE 26cm 0/000.290.9115 (u. 1) | |
| 13 | SET FUEL CAP + TUBE EC 2014 BE76010CT-CAB-1 (u. 1) | |
| 14 | OVERFLOW FUEL TANK 0/000.570.9102 (u. 1) | |
| 15 | OVERFLOW TUBE GASOLINE TANK ENDURO 0/000.290.9107 (u. 1) | |
| 16 | PLASTIC THREAD SCREW HEX.6 WITH WASHER 6x20 0/000.460.9178 (u. 1) | |
| | TORNILLO ESPECIAL ROSCA PLASTICO CABOTA HEXAGONAL T0806020 (u. 1) | Obsolete |
| | BOLT TANK-SEAT Ø6x23 (EJOT ref. 05100519) T0806023 (u. 1) | |
| | TANK SCREW - SEAT Ø6x23 0/000.460.9177 (u. 1) | |
| 17 | FUEL TANK VAPOR VALVE BT27836025 (u. 1) | |
| 18 | HEX BOLT DIN 6921 M6X12 WITH CENTERING FLANGE 0/000.460.9101 (u. 2) | Obsolete |

REAR FAIRING



SEAT COVER MR PRO BLACK / RED 2020
0/000.040.9102 (u. 1)

1 SADDLE COVER MR PRO 2025
0/000.040.9118 (u. 1)

SEAT MR PRO BLACK RED 2020
0/000.040.9101 (u. 1)

3 TORN.ESP. DIN 6921 Hex.8 TX30 M6x25 Cal.10.9 GEOMET
0/000.460.9182 (u. 1)

SPECIAL BOLT DIN 6921 HEX.8 M6x25 GRADE 10.9 GEOMET
0/000.460.9121 (u. 1)

Obsolete

4 KIT BLACK NUMBER PLATES MR
0/K00.570.9106 (u. 1)

BOLT DIN 6921 HEX.8 WITH CENTERING M6x16
0/000.460.9163 (u. 2)

5 SCREW DIN 6921 Hex.8 TX30 WITH CENTERING 8.70 M6x16 GRADE 10.9 GEOMET
0/000.460.9202 (u. 2)

Obsolete

6 REAR FENDER MR BLACK
0/000.060.9104 (u. 1)

8 BOLT ESP. 6X16 DRACOMET
0/000.460.9100 (u. 2)

Obsolete

9 NUT + WASHER M-6 SERRATED DIN 6923 ZINC 8
0/000.340.9116 (u. 2)

10 6X16 ULS SCREW ISO 7380-1 BLACK 12.9
0/000.460.9156 (u. 2)

11 RIGHT REAR INDICATOR 2005
0/000.150.9102 (u. 1)

12 LEFT REAR INDICATOR 2005
0/000.150.9103 (u. 1)

LED TAIL LIGHT V.2
0/000.150.9106 (u. 1)

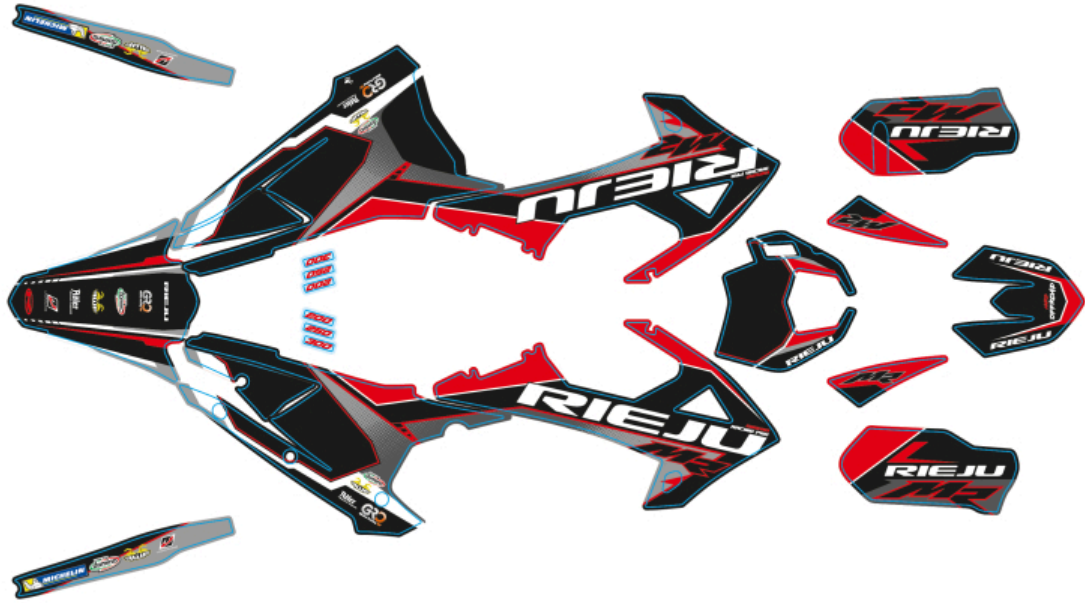
13 LIGHT TAIL LIGHT REAR LED
0/000.150.9105 (u. 1)

Obsolete

| | | |
|----|--|----------|
| 14 | LICENSE PLATE LIGHT MR 0/000.150.9104 (u. 1) | |
| 15 | CATADIOPTRIC 700R ENDURO 2007 0/000.630.9103 (u. 1) | |
| 16 | LICENSE PLATE HOLDER APPROVED MRT 2021 0/000.060.5302 (u. 1) | |
| | REGIST PLATE HOLOF R HOMOLOGATION 0/000.060.9102 (u. 1) | Obsolete |
| 17 | LICENSE PLATE HOLDER SHORT EC 2018 0/000.060.9101 (u. 1) | |
| 18 | PLASTIC THREAD SCREW HEX.6 WITH WASHER 6x20 0/000.460.9178 (u. 4) | |
| | TANK SCREW - SEAT Ø6x23 0/000.460.9177 (u. 4) | |
| | BOLT TANK-SEAT Ø6x23 (EJOT ref. 05100519) T0806023 (u. 4) | |
| | TORNILLO ESPECIAL ROSCA PLASTICO CABOTA HEXAGONAL T0806020 (u. 4) | Obsolete |
| 19 | ULS TORX WITH WASHER 4X08 ISO 7380-2 STAINLESS STEEL A2 0/000.460.9158 (u. 2) | |
| 20 | STAPLE 02110396 SRRM-5 REFLECTOR 0/000.440.9102 (u. 2) | |
| 21 | HEX BOLT DIN 6921 M6X12 WITH CENTERING FLANGE 0/000.460.9101 (u. 2) | Obsolete |

STICKERS

0/000.390.9131 JUEGO CALCAS MR PRO 2022

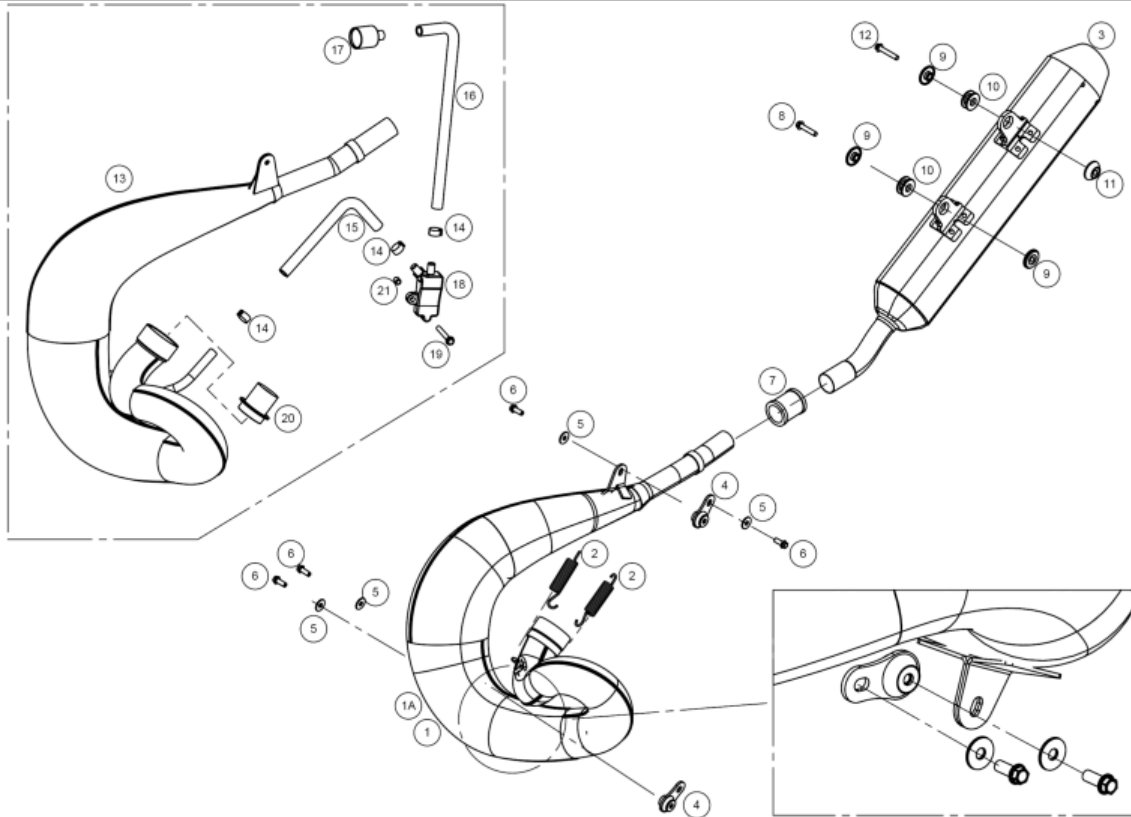


1 STICKERS SET MR PRO 2022
0/000.390.9131 (u. 1)

Obsolete

2 ADHESIVE RIM ENDURO RED
0/000.390.5140 (u. 8)

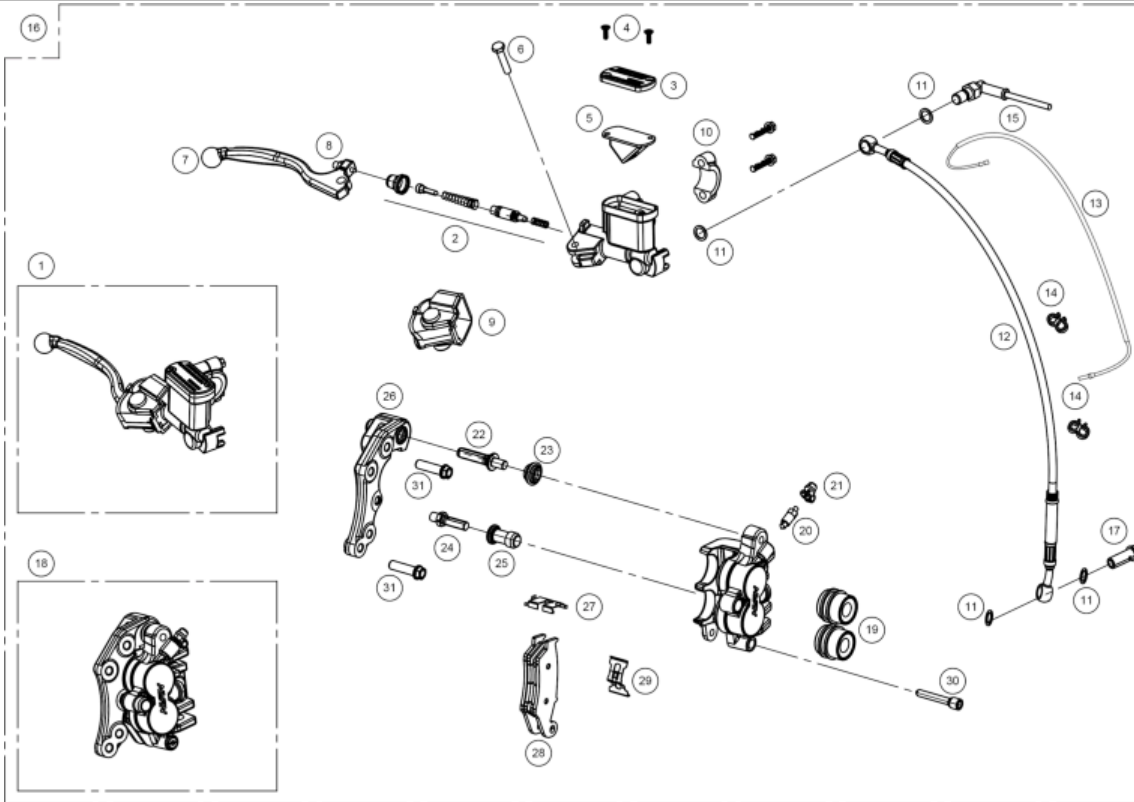
EXHAUST SYSTEM



| | | |
|----|--|----------|
| 1 | EXHAUST EC 2018 0/000.290.9114 (u. 1) | Obsolete |
| 2 | SPRING EXHAUST EC 0/000.470.9106 (u. 2) | |
| 3 | MUFFLER MR 2022 0/000.870.9104 (u. 1) | |
| | FIBER FOR SILENCER MR 2022 0/000.870.9105 (u. 1) | |
| 4 | SILENBLOCK EXHAUST PIPE ENDURO 0/000.360.9107 (u. 2) | |
| 5 | WASHER 6X18X1.5 DIN 9021 ZINC 0/000.440.9126 (u. 4) | |
| 6 | TORN.ESP. DIN 6921 HEX.8 TX30 M6x16 CAL.10.9 GEOMET 0/000.460.9216 (u. 4) | |
| | M6x16 HEX HEAD SCREW DIN 6921 GRADE 10.9 GEOMET 0/000.460.9119 (u. 4) | Obsolete |
| 7 | EXHAUST GASKET 250 SILIC.5916 0/000.490.9103 (u. 1) | |
| 8 | ALLEN BOLT 6x30 DIN 6921 GEOMET 0/000.460.9123 (u. 1) | Obsolete |
| | SCREW DIN 6921 Hex.8 TX30 M6x30 Thread.20 Grade.10.9 GEOMET 0/000.460.9183 (u. 1) | |
| 9 | SILENCER COVER SHORT EC 2018 0/000.480.9115 (u. 3) | |
| 10 | SILENBLOCK MUFFLER EC 2018 0/000.360.9108 (u. 2) | |
| 11 | LONG SILENCER BUSH ENDURO 2018 0/000.480.9114 (u. 1) | |
| 12 | SPECIAL BOLT DIN 6921 HEX.8 M6X35 CAL.10.9 GEOMET 0/000.460.9124 (u. 1) | |

| | |
|----|--|
| 13 | SET EXHAUST PIPE EC 2018 HOMOLOGATION 0/000.290.9113 (u. 1) |
| 14 | CLAMP D.15/8 W4 STAINLESS STEEL A2 0/000.680.9106 (u. 3) |
| 15 | SHORT SECONDARY AIR TUBE EC-2009 0/000.290.9110 (u. 1) |
| 16 | SECONDARY AIR LONG TUBE EC-2009 0/000.290.9111 (u. 1) |
| 17 | AIS VALVE FILTER 0/227.013.0003 (u. 1) |
| 18 | SECONDARY AIR VALVE EC-2009 RV-1-037 0/000.640.9100 (u. 1) |
| 19 | HEX HEAD SCREW DIN 6921 M6x60 GRADE 10.9 GEOMET 0/000.460.9128 (u. 1) |
| 20 | CATALYST EC250-2002 0/001.600.9100 (u. 1) |
| 21 | PINION DISTANCE BUSH 0/000.980.9112 (u. 1) |

FRONT BRAKE

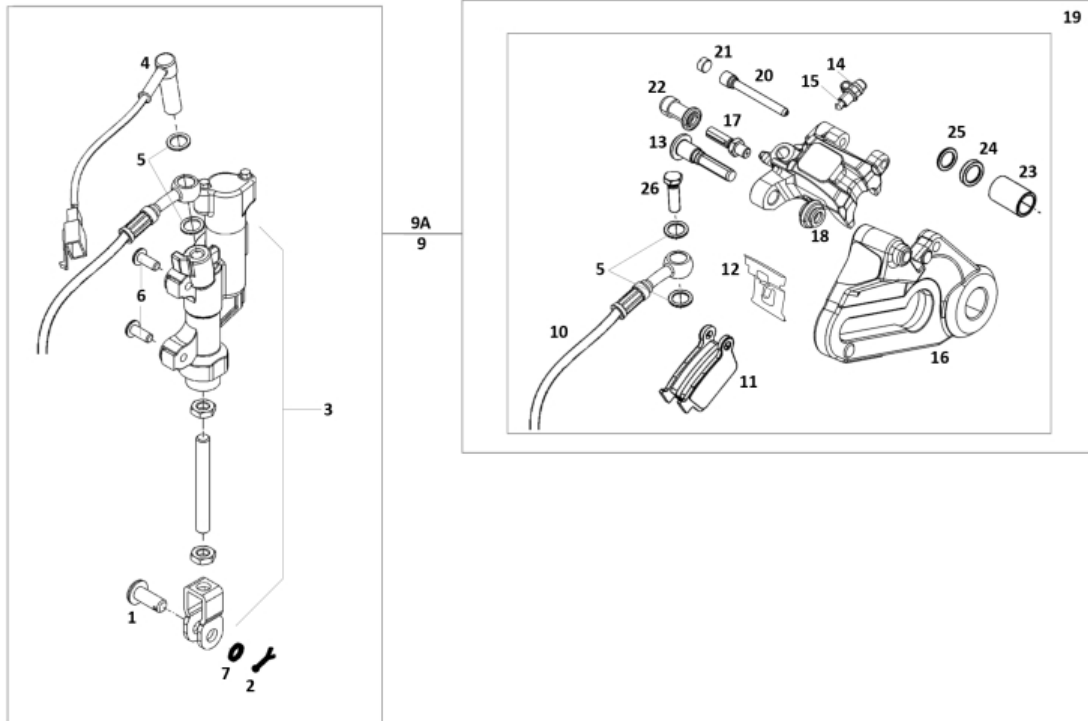


FRONT BRAKE PUMP NISSIN=BC25922008/2
0/000.820.9106 (u. 1)

| | | |
|----|---|----------|
| 1 | BOMBA FRENO DEL.NISSIN=BC25922008 BC25922008/2 (u. 1) | Obsolete |
| 2 | A BRAKE PUMP PISTON KIT BC25922219 (u. 1) | |
| 3 | BRAKE PUMP COVER BC25922210 (u. 1) | |
| 4 | SCREW COVER PUMP 049-Z02-064 BC25922217 (u. 2) | |
| 5 | NOFOAM RUBBER 003-M68-042 BC25922216 (u. 1) | |
| 6 | SPECIAL SCREW BC25922212 (u. 1) | |
| 7 | FRONT BRAKE LEVER TT250 2904 (3274) BC250022045R (u. 1) | |
| 8 | NISSIN LEVER TENSIONER 003-M84-107 BC25922218 (u. 1) | |
| 9 | DUST COVER BC25922213 (u. 1) | |
| 10 | CLAMP BC25922211 (u. 1) | |
| 11 | (PACK OF 5 PCS.) BANJO BOLT WASHER 10X14X1 BE25622007-B (u. 4) | |
| | HOSE WASHER 10X14X1 BE25622007 (u. 4) | Obsolete |
| 12 | FRONT BRAKE HOSE BE250422002 (u. 1) | |
| 13 | ENDURO KMS ACCOUNT SENSOR 0/001.010.9100 (u. 1) | |

| | |
|----|--|
| 14 | SPEEDO CABLE HOLDER CLIP KMS ACCOUNT 2008 0/000.630.9104 (u. 2) |
| 15 | SWITCH 23-016/1 STOP NISSIN PUMP 3 0/000.720.9104 (u. 1) |
| 16 | FRONT BRAKE BLEEDING SET ENDURO 2004 0/000.820.9107 (u. 1) |
| 17 | HOSE HOLDER RACORD 10X1.25 BC25722006 (u. 1) |
| 18 | FRONT BRAKE CALIPER + SUPPORT 272-C00-400 EC-2007 0/000.860.9101 (u. 1) |
| 19 | PISTON REPAIR KIT 272-C98-129 BE620422508 (u. 1) |
| 20 | BLEEDER KIT EC 142-D98-103 BE620602508 (u. 1) |
| 21 | BLEEDER CAP NISSIN 009-Z51-015 BE250022055 (u. 1) |
| 22 | GUIDE SCREW NISSIN 002-C46-086 BE250022092 (u. 1) |
| 23 | DUST COVER EC 002-C40-101 BE620682508 (u. 1) |
| 24 | BRAKE CALIPER PIN BOLT 082-C48-023 BE250022034 (u. 1) |
| 25 | DUST COVER CALIPER EC 002-C49-104 BE620692508 (u. 1) |
| 26 | FRONT CALIPER SUPPORT BE620102508 (u. 1) |
| 27 | BRAKE PADS HOLDER BRACKET 002-C80-014 BE620122508 (u. 1) |
| 28 | KIT FRONT BRAKE PADS BE620652508 (u. 1) |
| 29 | BRAKE PADS HOLDER BRACKET EC 002-C30-110 BE620112508 (u. 1) |
| 30 | FRONT BRAKE CALIPER PIN BE250022041 (u. 1) |
| 31 | HEXAGONAL FLANGE SCREW DIN 6921 M8x30 THREAD 22 GRADE 10.9 GEOMET 0/000.460.9138 (u. 2) |

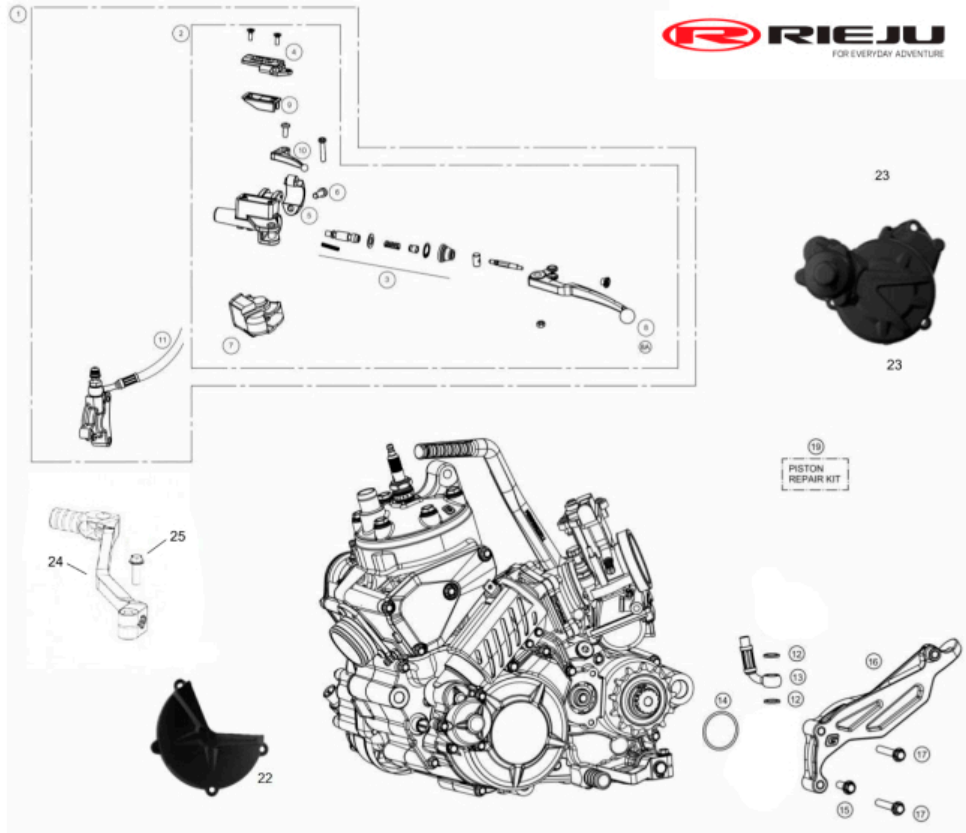
REAR BRAKE



| | | |
|----|--|----------|
| 1 | BRAKE PEDAL PIN 8X20 0/000.840.9101 (u. 1) | |
| 2 | 2X20 BRAKE PIN STOPPER 0/000.840.9102 (u. 1) | |
| 3 | SET. REAR BRAKE PUMP EC 2018 0/000.820.9105 (u. 1) | |
| 4 | SWITCH 23-016/1 STOP NISSIN PUMP 3 0/000.720.9104 (u. 1) | |
| 5 | HOSE WASHER 10X14X1 BE25622007 (u. 4) | Obsolete |
| | (PACK OF 5 PCS.) BANJO BOLT WASHER 10X14X1 BE25622007-B (u. 4) | |
| 6 | TORN.ESP. DIN 6921 HEX.8 TX30 M6x16 CAL.10.9 GEOMET 0/000.460.9216 (u. 2) | |
| | M6x16 HEX HEAD SCREW DIN 6921 GRADE 10.9 GEOMET 0/000.460.9119 (u. 2) | Obsolete |
| 7 | WASHER 8X16X1 ZINC-PLATED BRAKE PEDAL GASGAS 0/000.440.0302 (u. 1) | |
| 8 | SHORT UNEX NYLON CLAMP 2.5X98 0/000.660.9106 (u. 3) | |
| | CLAMP 2.5x100 T18ROS-PA66HS-BK 0/000.680.0081 (u. 3) | |
| 9 | SET REAR BRAKE EC-2018 0/000.820.9104 (u. 1) | |
| 10 | NISSIN REAR BRAKE HOSE BE661002509 (u. 1) | |
| 11 | REAR BRAKE PADS KIT BE675002509 (u. 1) | |
| 12 | REAR BRAKE PADS HOLDER BRACKET (B) BE250022091 (u. 1) | |
| 13 | CALIPER HOLDER SCREW BE250022096 (u. 1) | |

| | |
|----|---|
| 14 | BLEEDER CAP NISSIN 009-Z51-015 BE250022055 (u. 1) |
| 15 | BLEEDER NISSIN 079-Z50-001 BE250022060 (u. 1) |
| 16 | REAR BRAKE CALIPER SUPPORT NISSIN EC-2009 BE671002509 (u. 1) |
| 17 | BRAKE CALIPER PIN BOLT 082-C48-023 BE250022034 (u. 1) |
| 18 | DUST COVER EC 002-C40-101 BE620682508 (u. 1) |
| 19 | REAR BRAKE CALIPER SET + BRACKET EC-2009 0/000.860.9102 (u. 1) |
| 20 | BRAKE PADS PIN REAR 002-C50-053 BE250022094 (u. 1) |
| 21 | NISSIN PIN PROTECTOR BE250022095 (u. 1) |
| 22 | DUST COVER CALIPER EC 002-C49-104 BE620692508 (u. 1) |
| 23 | REAR BRAKE CALIPER PISTON BE675602509 (u. 1) |
| 24 | REAR BRAKE CALIPER SEAL EC-2009 250-C43-0 BE675502509 (u. 1) |
| 25 | SEAL REAR BRAKE CALIPER EC-2009 BE675552509 (u. 1) |
| 26 | HOSE HOLDER RACORD 10X1.25 BC25722006 (u. 1) |

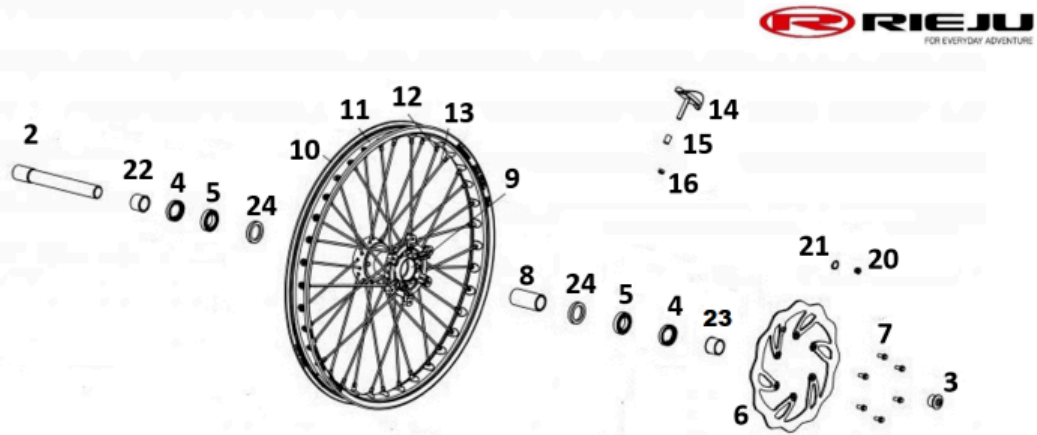
CLUTCH CONTROL



| | | |
|----|---|----------|
| 1 | SET MAGURA CLUTCH PUMP, 9.5 (167) 0/000.830.9101 (u. 1) | |
| 2 | CLUTCH PUMP MAGURA 9,5 (167) 0020747 BE45000013011 (u. 1) | Obsolete |
| 3 | PISTON KIT 9.5 (0723184) BE45000043011 (u. 1) | |
| 4 | COVER MINERAL OIL (0723164) BE45000053011 (u. 1) | |
| | BLACK CLUTCH PUMP COVER 167.2 0/000.350.9119 (u. 1) | |
| 5 | CLAMP, HOLDER BE45000063011 (u. 1) | |
| 6 | BOLT 6x20 DIN 6921 GEOMET 10.9 0/000.460.9120 (u. 1) | Obsolete |
| | HEXAGONAL FLANGE SCREW DIN 6921 TX30 M6x20 GRADE 10.9 GEOMET 0/000.460.9181 (u. 1) | |
| 7 | DUST COVER BE45000093011 (u. 1) | |
| 8 | SHORT CLUTCH LEVER (0723121) BE45000023011 (u. 1) | |
| 8A | LONG CLUTCH LEVER BE45000033011 (u. 1) | |
| 9 | BLACK CLUTCH PUMP COVER 167.2 0/000.350.9119 (u. 1) | |
| | MEMBRANAPÀSITO (0723162) BE45000103011 (u. 1) | Obsolete |
| 10 | CHOKE LEVER BE45000073011 (u. 1) | |
| 11 | ENDURO CLUTCH HOSE (FK003CE021E) BE250522003 (u. 1) | |

| | | |
|----|---|----------|
| 12 | HOSE WASHER 10X14X1 BE25622007 (u. 2) (PACK OF 5 PCS.) BANJO BOLT WASHER 10X14X1 BE25622007-B (u. 2) | Obsolete |
| 13 | ENDURO CLUTCH HOSE (FK003CE021E) BE250522003 (u. 1) | |
| 14 | CLUTCH PUMP O-RING 32X2 EPDM ME25632024 (u. 1) | |
| 15 | HEXAGONAL FLANGE SCREW DIN 6921 TX30 M6x20 GRADE 10.9 GEOMET 0/000.460.9181 (u. 1) BOLT 6x20 DIN 6921 GEOMET 10.9 0/000.460.9120 (u. 1) | Obsolete |
| 16 | CHAIN SLIDER KIT 3 SET. BE43015CT-CLJ-1 (u. 1) CHAIN SLIDER ASSEMBLY MR 300i 0/K00.360.9118 (u. 1) | Obsolete |
| 17 | ORIGINAL TEXT: TORN.ESP. DIN 6921 HEX.8 TX30 M6x50 FIL.20 CAL.10.9 GEOMET 0/000.460.9186 (u. 2) HEAD SCREW 6x50 DIN 6921 GEOMET 10.9 0/000.460.9126 (u. 2) | Obsolete |
| 22 | CLUTCH COVER PROTECTOR BLACK 0/000.220.9129 (u. 1) | |
| 23 | IGNITION COVER PROTECTOR BLACK 0/000.220.9130 (u. 1) | |
| 24 | SHIFT PEDAL MR 2022 0/005.430.9104 (u. 1) | |
| 25 | BOLT 6x20 DIN 6921 GEOMET 10.9 0/000.460.9120 (u. 1) HEXAGONAL FLANGE SCREW DIN 6921 TX30 M6x20 GRADE 10.9 GEOMET 0/000.460.9181 (u. 1) | Obsolete |

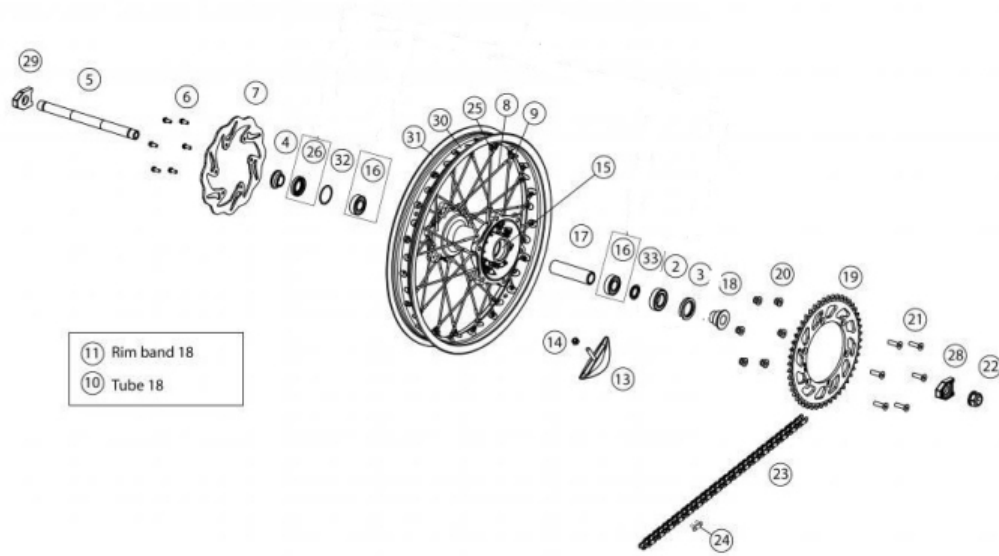
FRONT WHEEL



| | |
|----|---|
| 2 | FRONT AXLE INNER SCREW MR2022 0/000.460.9166 (u. 1) |
| | FRONT WHEEL AXLE EC-2011 20.8CM 0/000.190.9102 (u. 1) |
| 3 | FRONT WHEEL AXLE NUT 0/000.340.9100 (u. 1) |
| 4 | SEAL 36x47x7 0/000.890.9111 (u. 2) |
| 5 | BEARING 6005 2RS 25x47x12 0/000.960.9117 (u. 2) |
| 6 | FRONT FLOATING DISC BRAKE DIAM. 260 0/001.090.9106 (u. 1) |
| 7 | HEXAGON HEAD SCREW DIN 6921 M6x14 WITH TUFFLOCK 306 YELLOW 0/000.460.9142 (u. 6) |
| 8 | FRONT HUB BEARING SEPARATOR 0/000.480.9139 (u. 1) |
| 9 | RED ANODIZED FRONT HUB MR PRO 0/000.070.9100 (u. 1) |
| 10 | FRONT WHEEL EXCEL 1.60x21.0 BLACK ANODIZED 0/000.230.9106 (u. 1) |
| 11 | SET OF SPOKED FRONT WHEEL MR PRO 2022 0/000.110.9103 (u. 1) |
| 12 | NIPPLE 7.6x19.2 8G 32 0/000.340.9127 (u. 36) |
| 13 | FRONT SPOKE 1.60x21" 0/000.540.9100 (u. 36) |
| 14 | FRONT WHEEL HOLDER 1.6x21 0/000.220.9114 (u. 1) |
| 15 | FRONT TIRE HOLDING BUSHING EC-2010 8X12X12 0/000.480.9112 (u. 1) |
| 16 | NUT DIN 985 M8 GRADE 8 ZINC/WHITE 0/000.340.0181 (u. 1) |
| | SELF-LOCKING NUT M-8 LOW DIN 985 ZINC 0/000.340.9114 (u. 1) |
| 18 | FRONT TUBE 21MDR VALVE TR4 833092 0/000.520.9100 (u. 1) |

| | |
|-----------|--|
| 19 | PROT.BAND FRONT.FLAP 1.60/1.85 X 21(1400X25) 949947 0/000.220.9108 (u. 1) |
| 20 | MAGNET EC 2010 0/001.010.9101 (u. 1) |
| 21 | SEGEER A 9 DIN 471 STAINLESS STEEL MAGNET BRACKET EC 2010 0/000.300.9100 (u. 1) |
| 22 | FRONT WHEEL LH SPACER 0/000.480.9137 (u. 1) |
| 23 | FRONT WHEEL SPACER RH 0/000.480.9138 (u. 1) |
| 24 | BEARING SPACER RING 0/000.300.9109 (u. 2) |

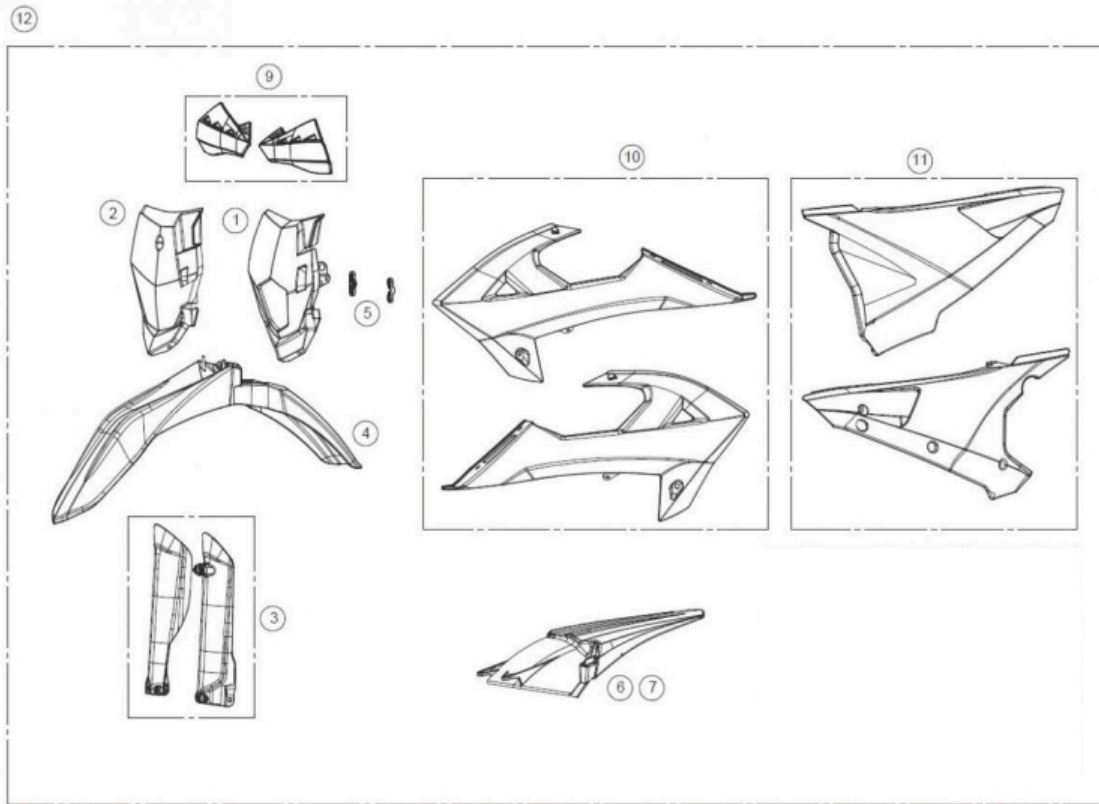
REAR WHEEL



| | | |
|----|--|----------|
| 2 | BEARING 6005 2RS 25x47x12 0/000.960.9117 (u. 2) | |
| 3 | SEAL 36x47x7 0/000.890.9111 (u. 2) | |
| 4 | REAR WHEEL SPACER RH 0/000.480.9141 (u. 1) | |
| 5 | AXLE REAR WHEEL EC 2018 0/000.190.9103 (u. 1) | |
| 6 | HEX BOLT WASHER 6x14 (Fork Brace) DIN 6921 0/000.460.9118 (u. 6) | Obsolete |
| | SCREW DIN 6921 HEX.8 TX30 M6x14 CAL.10.9 GEOMET 0/000.460.9215 (u. 6) | |
| 7 | REAR DISC BRAKE MR 220mm 0/001.090.9108 (u. 1) | |
| 8 | REAR SPOKE DISC SIDE 2.50x18" 0/000.540.9102 (u. 18) | |
| 9 | REAR SPOKE PLATE SIDE 2.50x18" 0/000.540.9101 (u. 18) | |
| 10 | REAR TUBE CH 18 MGR VALVE TR4 MICHELIN 0/000.520.9102 (u. 1) | |
| 11 | REAR BAND PROTECTOR 1.60/2.00 X 18/19 (1300X25) 656415 MICHELIN 0/000.220.9110 (u. 1) | |
| 13 | REAR GRIP 2.15x18 0/000.220.9115 (u. 1) | |
| 14 | NUT DIN 985 M8 GRADE 8 ZINC/WHITE 0/000.340.0181 (u. 1) | |
| | SELF-LOCKING NUT M-8 LOW DIN 985 ZINC 0/000.340.9114 (u. 1) | |
| 15 | RED ANODIZED REAR HUB MR PRO 0/000.080.9100 (u. 1) | |
| 16 | BEARING 6005 2RS 25x47x12 0/000.960.9117 (u. 2) | |

| | | |
|----|---|----------|
| 17 | REAR SPOOL BEARING SEPARATOR 0/000.480.9142 (u. 1) | |
| 18 | REAR WHEEL SPACER LH 0/000.480.9140 (u. 1) | |
| 19 | Z49 SPROCKET CROSS 250 0/000.500.9100 (u. 1) | |
| | SPROCKET Z 50 ENDURO 2014 COLOR TITANIUM 0/000.500.9102 (u. 1) | |
| | SPROCKET Z 48 ENDURO 2011 COLOR TITANIUM. 0/000.500.9101 (u. 1) | |
| 20 | M8 NUT DIN 6926 GRADE 8 ZINC/WHITE 0/000.340.0180 (u. 6) | |
| 21 | ALLEN SCREW 8x30 DIN 7991 ZINC 12.9 0/000.460.9153 (u. 6) | |
| 22 | REAR WHEEL NUT. ENDURO 2018 0/000.340.9104 (u. 1) | |
| 23 | CHAIN 520 X-RING WITH SPROCKET PACKAGED 112 LINKS (WITH SEALS) 0/001.050.9100 (u. 1) | |
| 24 | CHAIN LINK 520 X-RING 0/001.050.9110 (u. 1) | |
| 25 | NIPPLE 7.6x19.2 8G 32 0/000.340.9127 (u. 36) | |
| 26 | SEAL 36x47x7 0/000.890.9111 (u. 1) | |
| 28 | CHAIN TENSIONER PASS-THROUGH ENDURO 2018 0/000.380.9101 (u. 1) | |
| 29 | CHAIN TENSIONER BLIND ENDURO 2018 0/000.380.9100 (u. 1) | |
| 30 | SET. SPOKED REAR WHEEL MR PRO 2022 0/000.120.9103 (u. 1) | Obsolete |
| 31 | REAR WHEEL EXCEL 2.15x18.0 BLACK ANODIZED 0/000.230.9107 (u. 1) | |
| 32 | BEARING SPACER RING 0/000.300.9109 (u. 1) | |
| 33 | BEARING SPACER RING 0/000.300.9109 (u. 1) | |

FAIRING



| | | |
|----|--|----------|
| 1 | HEADLIGHT HOLDER MR BLACK 0/000.620.9101 (u. 1) | |
| 2 | FRONT NUMBER PLATE CROSS COUNTRY 2018 WHITE 0/000.570.9113 (u. 1) | |
| 3 | SET PROT.UPSIDE-DOWN FORK MR BLACK 0/000.220.9118 (u. 1) | |
| 4 | FRONT FENDER MR BLACK 0/000.050.9100 (u. 1) | |
| 5 | HEADLIGHT BRACKET MR BLACK INJ. 0/000.980.9127 (u. 2) | |
| 6 | REAR FENDER MR BLACK 0/000.060.9104 (u. 1) | |
| 9 | ENDURO BLACK HANDGUARD SET (QWEST) WITHOUT LOGO 0/000.770.9109 (u. 1) | Obsolete |
| 10 | RADIATOR PROTECTION PLATE KIT BLACK MR 0/K00.570.9102 (u. 1) | |
| 11 | KIT BLACK NUMBER PLATES MR 0/K00.570.9106 (u. 1) | |
| 12 | COMPLETE PLASTIC KIT MR BLACK 0/K00.570.9108 (u. 1) | |

ACCESSORIES



| | | |
|----|--|----------|
| | HARD OFF ROAD RED SHIRT SIZE S 0/000.001.0270 (u. 1) | |
| | HARD OFF ROAD RED SHIRT SIZE XXL 0/000.001.0274 (u. 1) | |
| 10 | T-SHIRT HARD OFF ROAD RED SIZE M 0/000.001.0271 (u. 1) - <i>Camisa HARD OFF ROAD 2021</i> | Obsolete |
| | HARD OFF ROAD RED SHIRT SIZE XL 0/000.001.0273 (u. 1) | Obsolete |
| | T-SHIRT HARD OFF ROAD RED SIZE L 0/000.001.0272 (u. 1) | |
| | HARD OFF ROAD PANTS RED SIZE M 0/000.001.0276 (u. 1) | |
| | HARD OFF ROAD PANTS RED SIZE S 0/000.001.0275 (u. 1) | |
| 20 | PANTS HARD OFF ROAD RED SIZE L 0/000.001.0277 (u. 1) | |
| | HARD OFF ROAD RED PANTS SIZE XL 0/000.001.0278 (u. 1) | |
| | PANTS HARD OFF ROAD RED SIZE XXL 0/000.001.0279 (u. 1) | |
| | GLOVES HARD OFF ROAD 2021 S.L 0/000.001.0282 (u. 1) | Obsolete |
| | GLOVES HARD OFF ROAD 2021 XL 0/000.001.0283 (u. 1) | Obsolete |
| 30 | GLOVES HARD OFF ROAD 2021 XXL 0/000.001.0284 (u. 1) | Obsolete |
| | GLOVES HARD OFF ROAD 2021 S 0/000.001.0280 (u. 1) | Obsolete |
| | GUANTES HARD OFF ROAD 2021 TALLA M 0/000.001.0281 (u. 1) | Obsolete |

40

EC KIT TO CONVERT TO XC
BE99996CT-CMV-1 (u. 1)

EXHAUST STICKER



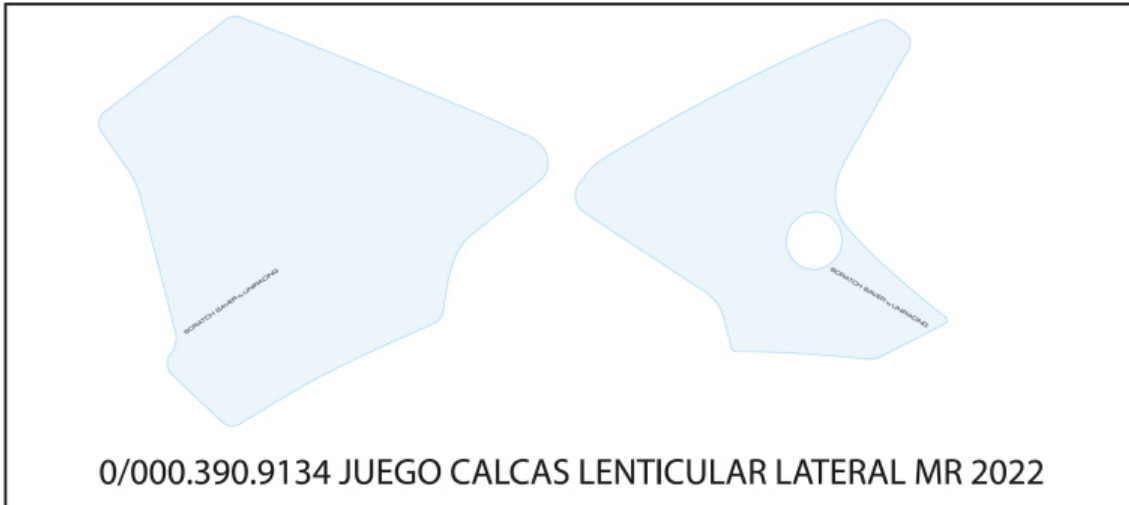
0/000.390.9133 CALCA ESCAPE MR 202

1

EXHAUST STICKER MR 2022
0/000.390.9133 (u. 1)

Obsolete

TRANSPARENT STICKER

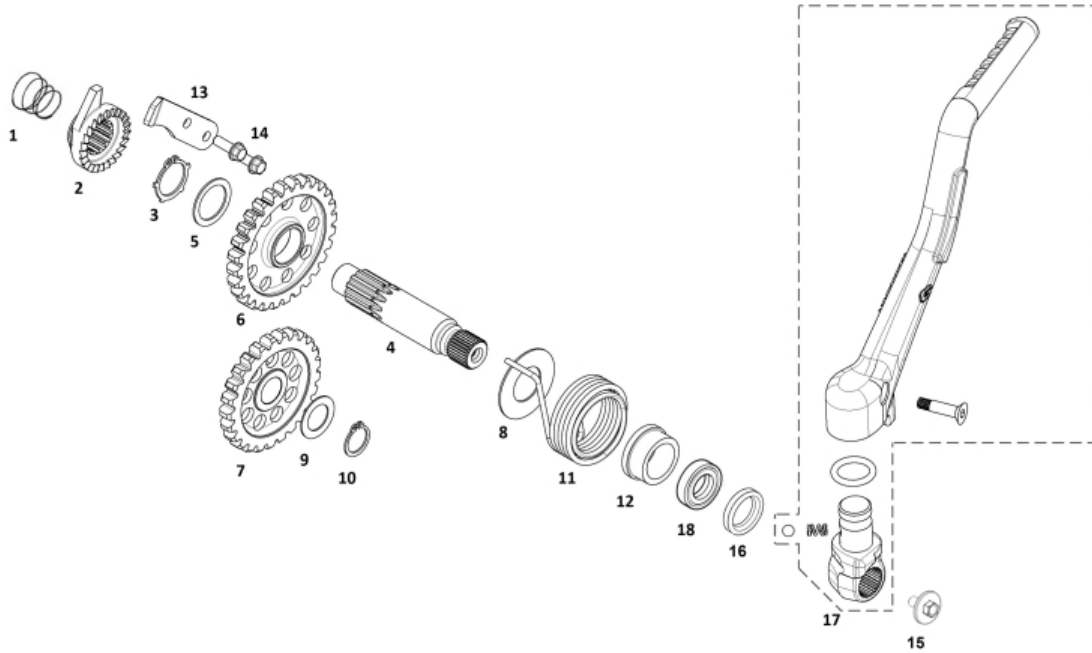


1

LATERAL LENTICULAR DECAL SET MR 2022
0/000.390.9134 (u. 1)

ENGINE MR 2022 V2

KICK STARTER

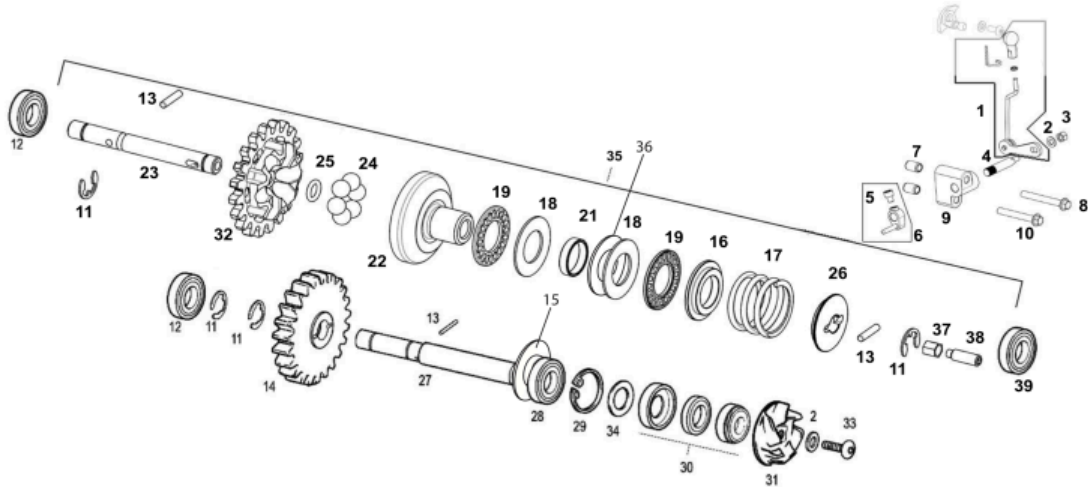


| | |
|----|--|
| 1 | KICKSTART RATCHET SPRING 0/000.470.9109 (u. 1) |
| 2 | KICKSTART RATCHET EC125cc 0/005.400.9110 (u. 1) |
| 3 | CIRCLIP D.20 DIN 471 0/000.300.9105 (u. 1) |
| 4 | KICKSTART SHAFT EC-2001 0/005.400.9106 (u. 1) |
| 5 | END WASHER 27X20.2X1 STARTER SHIFT 0/000.440.9109 (u. 1) |
| 6 | STARTER PINION EC-2001 0/005.400.9105 (u. 1) |
| 7 | STARTER INNER PINION EC-2008 0/005.400.9108 (u. 1) |
| 8 | KICKSTART WASHER 40x20,15x1 0/000.440.9111 (u. 1) |
| 9 | WASHER PINION STARTER 24X15,15X0,8 0/000.440.9110 (u. 1) |
| 10 | SEEGGER RING DIN 471 D.15 0/000.300.9101 (u. 1) |
| 11 | KICKSTART SPRING 0/000.470.9110 (u. 1) |
| 12 | KICKSTART SPRING CENTERING BUSHING 0/000.480.9125 (u. 1) |
| 13 | KICKSTART RATCHET PLATE 0/000.980.9114 (u. 1) |
| 14 | BOLT + WASHER 5x15 DIN 6921 GEOMET 10.9 0/000.460.9115 (u. 2) |
| 15 | SPECIAL SCREW 6X11 GEOMET 10.9 0/000.460.9134 (u. 1) |
| 16 | BUSH STARTER PEDAL EC 2014 0/000.480.9126 (u. 1) |
| 17 | STARTER LEVER MR 2021 0/005.430.9103 (u. 1) |

18

KICKSTART PEDAL OIL SEAL 20X30X7
0/000.890.9105 (u. 1)

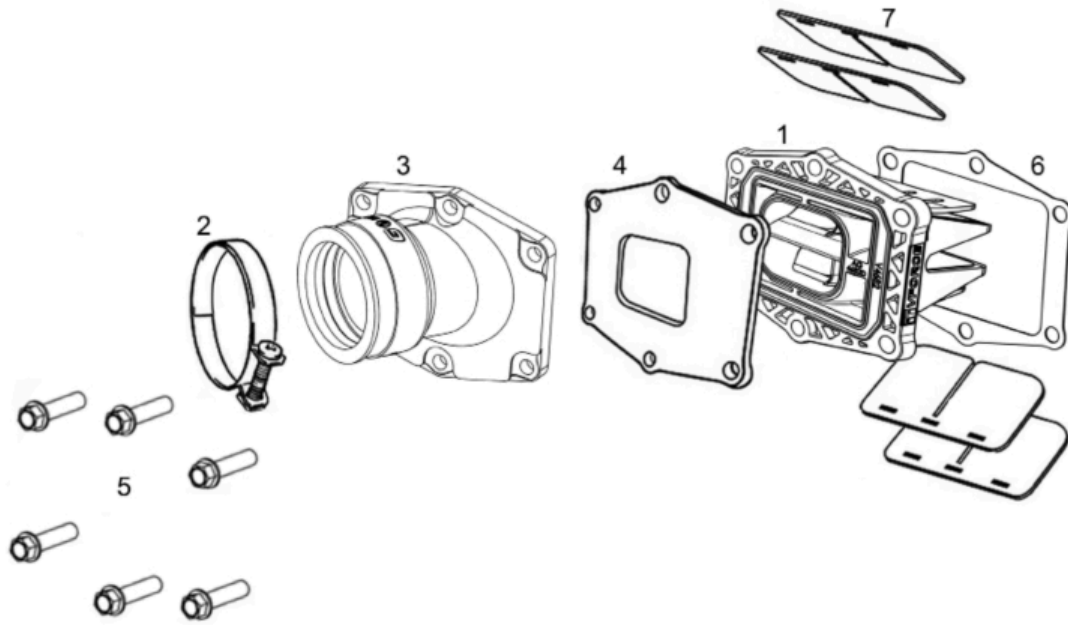
WATER PUMP



| | | |
|----|--|----------|
| 1 | SET EXHAUST VALVE PUSHROD COMPLETE EC 2015 0/000.640.9104 (u. 1) | |
| 2 | WASHER 5X12X1.5 DIN 125A ZINC 0/000.440.9121 (u. 2) | |
| 3 | SELF-LOCKING NUT M5 LOW DIN-985 ZINC 8 0/000.340.9112 (u. 1) | |
| 4 | CORRECTED TRANSLATION: CENTRIFUGAL LEVER AXLE 0/000.190.9108 (u. 1) | |
| 6 | SET LEVER CENTRIFUGAL EC 300 2011 0/005.490.9101 (u. 1) | |
| 7 | ENGINE CASE LOCATOR BUSHING 0/000.480.9119 (u. 2) | |
| 8 | HEX HEAD SCREW DIN 6921 M6x60 GRADE 10.9 GEOMET 0/000.460.9128 (u. 1) | |
| 9 | BRACKET AXLE CONTROL VALVE EC 2015 0/000.980.9115 (u. 1) | |
| 10 | HEX HEAD SCREW DIN 6921 M6x40 THREAD 20 CLASS 10.9 GEO 0/000.460.9125 (u. 1) | |
| 11 | SEEGERRING DIN 6799 E7 0/000.300.9103 (u. 4) | |
| 12 | 608Z C3 BEARING 0/000.960.9108 (u. 2) | |
| 13 | ROLLER 3X14 .DIN 7 ISO 2338 STAINLESS A1 CENTRIFUGAL WATER PUMP 0/000.280.9101 (u. 3) | |
| 14 | WATER PUMP PINION AND CENTERING 0/005.400.9111 (u. 1) | |
| 15 | WASHER DIAM.10 X DIAM.19 X 0.5 0/000.440.9113 (u. 1) | |
| 16 | CENTRIFUGAL SPRING RETAINER ME59026GG-CEQ-1 (u. 1) - 250cc / 300cc | Obsolete |
| 17 | CENTRIFUGAL EXHAUST VALVE SPRING 99 ME25916026 (u. 1) - 250cc / 300cc | |
| 18 | NEEDLE CAGE PLATE AS 15 0/000.440.9107 (u. 2) | |
| 19 | NEEDLE CAGE AXK 1528 0/000.960.9109 (u. 2) | |
| 21 | CENTRIFUGAL BEARING SPACER ME25616008 (u. 1) | |

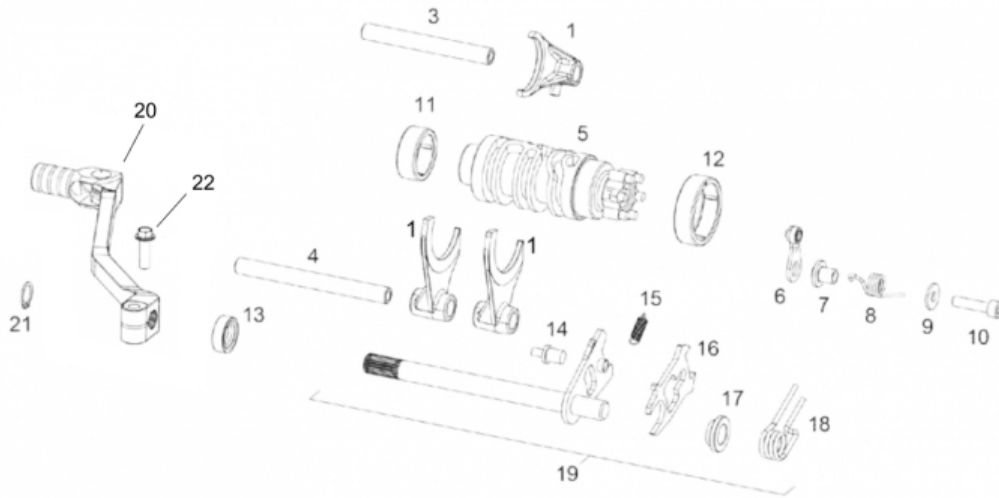
| | | |
|----|---|----------|
| 22 | CLUCTH OUTER CENTRIFUGAL EC 2015 ME59030GG-CEQ-1 (u. 1) | Obsolete |
| 23 | AXLE CENTRIFUGAL EC 2015 ME59015GG-CEQ-1 (u. 1) | |
| 24 | 8mm Clutch Ball Bearing 50cc ME25616033 (u. 6) | Obsolete |
| 25 | 6X2 O-RING EXHAUST VALVE CENTRAL SHAFT ME25616045 (u. 1) | |
| 26 | ARAMOF LA APYO SPRING EC 300 2015 ME59025GG-CEQ-1 (u. 1) - 250cc / 300cc | Obsolete |
| 27 | WATER PUMP PINION SHAFT 0/000.190.9104 (u. 1) | |
| 28 | WATER PUMP BEARING 6000 C3Z=M03313001 0/000.960.9107 (u. 1) | |
| 29 | SEEGERS D.26 DIN 472-I26 0/000.300.9106 (u. 1) | |
| 30 | WATERPUMP SEAL (STUFFED) 1510 CA/CE 1 0/000.890.9104 (u. 1) | |
| 31 | WATER PUMP IMPELLER 2014 0/005.220.9100 (u. 1) | |
| 32 | PINION CENTRIFUGAL EC 300 2015 ME59050GG-CEQ-1 (u. 1) | |
| 34 | WASHER 25.8x17.5x0.5 WATER PUMP 0/000.440.9103 (u. 1) | |
| 35 | CENTRIFUGAL COMPLETE EC 200 2019 0/000.640.9102 (u. 1) - 200 CC | |
| | CENTRIFUGAL COMPLETE EC 300 2015 0/000.640.9101 (u. 1) - 300 CC | |
| 36 | ARANDELA 15X28X0.8 Y00.25406408 (u. 1) | Obsolete |
| 37 | TUERCA HEXAGONAL 6 M5 T2706050 (u. 1) | Obsolete |
| 38 | TORNILLO DE AJUSTE HEXA.INT.M5X16 T0325016 (u. 1) | Obsolete |
| 39 | BEARING BALL 619/8-ZZ 0/000.960.9105 (u. 1) | |

REED VALVE



| | | |
|---|--|----------|
| 1 | LAMINAR BOX V405D 0/005.600.9102 (u. 1) - CAJA LÁMINAS 2024 | |
| | REED VALVE ASSEMBLY V-FORCE 4 0/005.600.9100 (u. 1) | Obsolete |
| 2 | CLAMP S56/9 W1 ZINC 0/000.680.9109 (u. 1) | |
| 3 | INTAKE MANIFOLD ENDURO 2018 0/000.290.9116 (u. 1) | |
| 4 | GASKET BOX REED VALVES MANIFOLD ENDURO 2018 0/000.490.9114 (u. 1) | |
| 5 | TORN.ESP. DIN 6921 Hex.8 TX30 M6x25 Cal.10.9 GEOMET 0/000.460.9182 (u. 6) | |
| | SPECIAL BOLT DIN 6921 HEX.8 M6x25 GRADE 10.9 GEOMET 0/000.460.9121 (u. 6) | Obsolete |
| 6 | CRANKCASE REED VALVE GASKET 0/000.490.9120 (u. 1) | |
| 7 | REED VALVE SET ME27000GG-CAB-1 (u. 2) | |

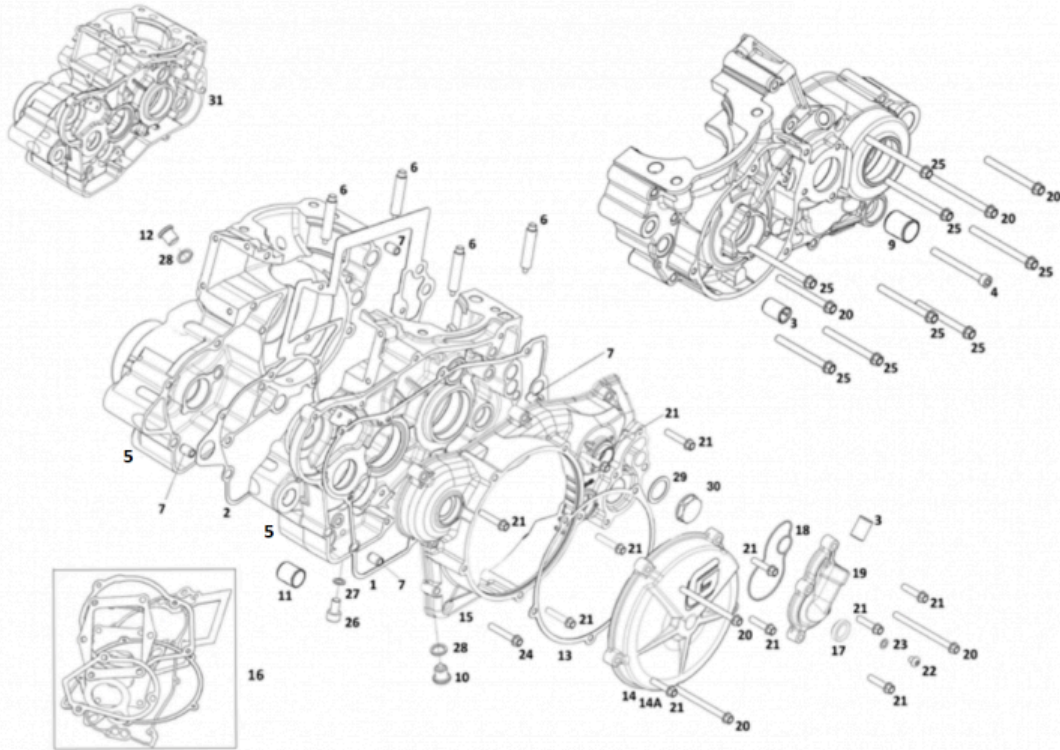
CHANGE SHAFT



| | | |
|----|--|----------|
| 1 | SET PRIMARY AND SECONDARY FORKS ENDURO 2018 ME47000CT-CLJ-1 (u. 1) | |
| 3 | SHORT FORK AXIS 0/000.190.9107 (u. 1) | |
| 4 | LONG FORK AXLE 0/000.190.9106 (u. 1) | |
| 5 | DESMODROMIC EC-2005 0/005.090.9100 (u. 1) | |
| 6 | GEAR FIXING EC COMP. 0/005.560.9100 (u. 1) | |
| 7 | GEAR FIXING PLATE BUSHING 0/000.480.9122 (u. 1) | |
| 8 | GEAR FASTENING SPRING EC-2000 0/000.470.9108 (u. 1) | |
| 9 | FLAT WASHER 6.5X16X1.5 DIN 125 ZINC 0/000.440.9125 (u. 1) | |
| 10 | TORN.ESP. DIN 6921 Hex.8 TX30 M6x25 Cal.10.9 GEOMET 0/000.460.9182 (u. 1) SPECIAL BOLT DIN 6921 HEX.8 M6x25 GRADE 10.9 GEOMET 0/000.460.9121 (u. 1) | Obsolete |
| 11 | DESMODROMIC BEARING HK2512 =M03645000 0/000.960.9111 (u. 1) | |
| 12 | DESMODROMIC ROLLER BEARING HK3512=M03650000 0/000.960.9110 (u. 1) | |
| 13 | SEAL 12-22-7 AS-CC =M03821000 0/000.890.9107 (u. 1) | |
| 14 | CENTER SELECTOR SPRING SCREW 0/000.460.9110 (u. 2) | |
| 15 | SCORPION 250.TT SPRING ME25636039 (u. 1) | |

| | | |
|----|---|----------|
| 16 | SCORPION EC250-2002 ME250236036 (u. 1) | |
| 17 | SCORPION CENTERING BUSHING EC250-2002 ME250236041 (u. 1) | |
| 18 | SELECTOR SPRING ME25636035 (u. 1) | |
| 19 | GEAR SELECTOR SHAFT SET 0/005.010.9100 (u. 1) | |
| 20 | SHIFT PEDAL MR 2022 0/005.430.9104 (u. 1) | |
| 21 | SEEGERRING DIN 471 12 0/000.300.9104 (u. 1) | |
| 22 | BOLT 6x20 DIN 6921 GEOMET 10.9 0/000.460.9120 (u. 1) | Obsolete |
| | HEXAGONAL FLANGE SCREW DIN 6921 TX30 M6x20 GRADE 10.9 GEOMET 0/000.460.9181 (u. 1) | |

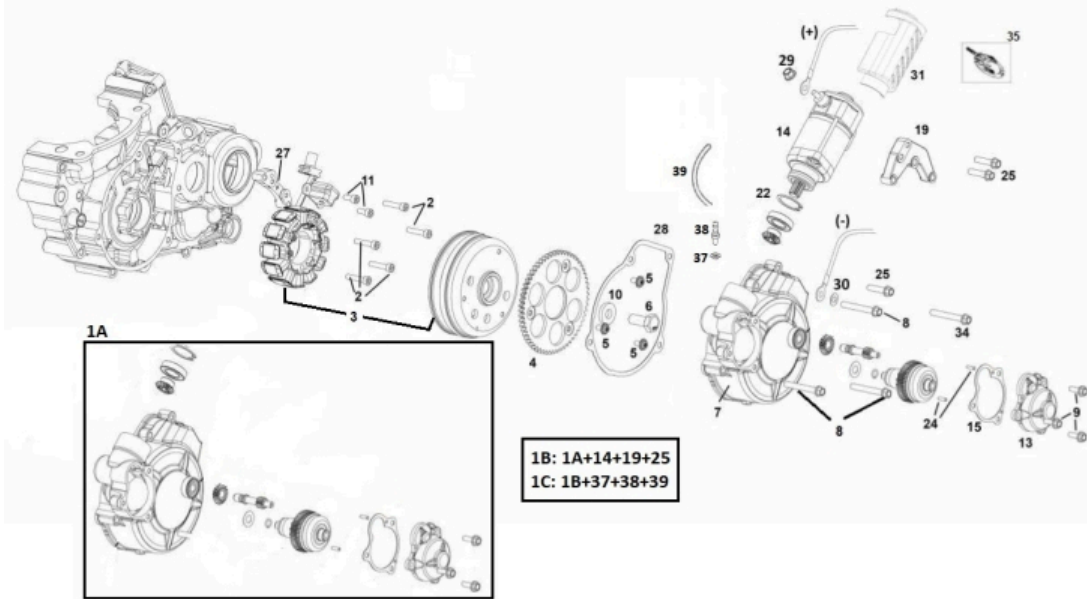
CARTER



| | |
|----|--|
| 1 | CLUTCH COVER GASKET 0.6mm 0/000.490.9108 (u. 1) |
| 2 | GASKET CRANKCASE 2018 0/000.490.9118 (u. 1) |
| 3 | WATER INLET FITTING 0/000.480.9123 (u. 2) |
| 4 | ALLEN 6X60 DIN 912 ZINC 12.9 0/000.460.9150 (u. 1) |
| 5 | SET CRANKCASES ENDURO 300 2018 ME10000CT-CLJ-1 (u. 1) - 300 CC SET CRANKCASES ENDURO 200 2018 ME10000CT-CLP-1 (u. 1) - 200 CC |
| 6 | CYLINDER STUD 0/000.280.9100 (u. 4) |
| 7 | ENGINE CASE LOCATOR BUSHING 0/000.480.9119 (u. 4) |
| 9 | BRAKE PEDAL GLACIER 1215PD10 0/000.480.9117 (u. 1) |
| 10 | HEXAGONAL OIL DRAIN PLUG 0/000.410.9104 (u. 1) |
| 11 | GLACIER PEDAL DAP 1212PD 0/000.480.9105 (u. 1) |
| 12 | HEXAGONAL TITANIUM-COLORED OIL FILLER PLUG 0/000.410.9103 (u. 1) |
| 13 | DISCS COVER GASKET 2014 0/000.490.9104 (u. 1) |
| 14 | CLUTCH DISC COVER GRAY 0/000.350.9105 (u. 1) |

| | | |
|----|--|----------|
| | SIGHT GLASS OIL LEVEL EC400-4T 0/000.410.9106 (u. 1) | |
| | THREADED BUSHING CENTRIFUGAL PLUG 0/000.980.9131 (u. 1) | |
| 15 | KICKSTART PEDAL OIL SEAL 20X30X7 0/000.890.9105 (u. 1) | |
| | COVER CLUTCH GRAY RAL (9006) 0/000.350.9107 (u. 1) | |
| 16 | ENDURO ENGINE GASKET KIT 2018 ME94610CT-CLJ-1 (u. 1) | |
| 17 | SIGHT GLASS OIL LEVEL EC400-4T 0/000.410.9106 (u. 1) | |
| 18 | WATER PUMP COVER GASKET 2014 0/000.490.9115 (u. 1) | |
| 19 | WATER PUMP COVER 0/000.220.9124 (u. 1) | |
| 20 | HEXAGONAL SCREW DIN 6921 M6x75 THREAD 20 GRADE 10.9 GEO 0/000.460.9129 (u. 6) | |
| | TORN.ESP. DIN 6921 Hex.8 TX30 M6x25 Cal.10.9 GEOMET 0/000.460.9182 (u. 11) | |
| 21 | SPECIAL BOLT DIN 6921 HEX.8 M6x25 GRADE 10.9 GEOMET 0/000.460.9121 (u. 11) | Obsolete |
| 22 | SCREW SPECIAL 6X10+WASHER GEOMET 10.9 0/000.460.9133 (u. 1) | Obsolete |
| 23 | COPPER WASHER 6X10X1.5 WATER PUMP BOLT 0/000.440.9122 (u. 1) | |
| 24 | SPECIAL BOLT DIN 6921 HEX.8 M6X35 CAL.10.9 GEOMET 0/000.460.9124 (u. 1) | |
| 25 | HEX HEAD SCREW DIN 6921 M6x60 GRADE 10.9 GEOMET 0/000.460.9128 (u. 8) | |
| 27 | COPPER WASHER 8X12X1.5 DIN 125 A ISO 7089 0/000.440.9128 (u. 1) | |
| 28 | SPARK PLUG WASHER 12X18X2 0/000.440.9114 (u. 2) | |
| 29 | O-RING 20 x 1.5 NBR 70 0/000.490.9116 (u. 1) | |
| 30 | CAP ADJUSTMENT CENTRIFUGAL 0/000.410.9105 (u. 1) | |
| 31 | SET CRANKCASES ENDURO 300 2018 ME10000CT-CLJ-1 (u. 1) - 250cc / 300cc | |
| 32 | ENGINE CASE LOCATOR BUSHING 0/000.480.9119 (u. 2) | |

FLYWHEEL - STARTER ENGINE

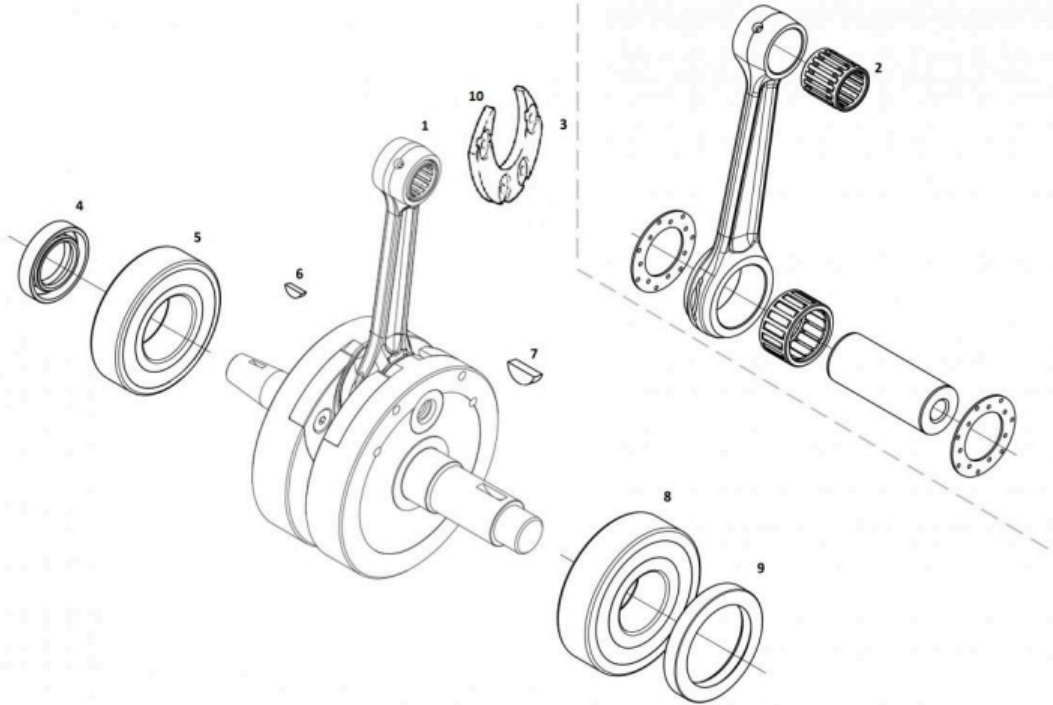


| | |
|-----------|--|
| 1A | STARTER COVER KIT + UPGRADED BENDIX 0/005.480.9103 (u. 1) - <i>WITHOUT STARTER ENGINE</i> |
| 1B | ELECTRIC STARTER KIT MR 2022 0/005.480.9102 (u. 1) - <i>WITH STARTER ENGINE</i> |
| 1C | ELECTRIC STARTER KIT MR 2022 + DEVAPORIZER 0/K05.480.9102 (u. 1) - <i>WITH STARTER ENGINE</i> |
| 2 | ALLEN BOLT 5X25 DIN 912 DRACOMET 8.8 0/000.460.9146 (u. 5) |
| 3 | SET MAGNETIC FLYWHEEL MR 2022 0/005.820.9104 (u. 1) |
| 4 | ELECTRIC START RING GEAR EC 2015 0/005.400.9102 (u. 1) |
| 5 | TORX BUTTON HEAD WASHER 5X8 ISO 7380-2 10.9 0/000.460.9154 (u. 3) |
| 6 | HEX HEAD SCREW DIN 6921 M10x25x125 GRADE 10.9 GEOMET 0/000.460.9112 (u. 1) |
| 8 | HEX HEAD SCREW DIN 6921 M6x40 THREAD 20 CLASS 10.9 GEO 0/000.460.9125 (u. 1) |
| 9 | BOLT + WASHER 5x15 DIN 6921 GEOMET 10.9 0/000.460.9115 (u. 3) |
| 11 | ALLEN 5x10 DIN 912 ZINC 12.9 0/000.460.9145 (u. 2) |
| 13 | COVER BENDIX EC 2015 EE80130GG-CBR-2 (u. 1) |
| 14 | STARTING MOTOR.EC 2015 PHI50mm 0/005.480.9100 (u. 1) |
| 15 | SEAL COVER BENDIX EC 2015 FOAMET 0.6 EE80135GG-CBR-1 (u. 1) |
| 19 | ELECTRIC START ENGINE MOUNT EC 2015 0/000.980.9111 (u. 1) |
| 24 | NEEDLE DIN5402-3 TYPE BF DIAM-3X9.8 FLAT EE80140GG-CBR-1 (u. 2) |
| 25 | SPECIAL BOLT DIN 6921 HEX.8 M6x25 GRADE 10.9 GEOMET 0/000.460.9121 (u. 3) |
| | TORN.ESP. DIN 6921 Hex.8 TX30 M6x25 Cal.10.9 GEOMET 0/000.460.9182 (u. 3) |

Obsolete

| | |
|----|---|
| 27 | ADAPTER PUSH BUTTON HIDRIA EC 2014 V2 0/000.980.9109 (u. 1) |
| 28 | GASKET FLYWHEEL COVER 0/000.490.9119 (u. 1) |
| 29 | NUT + WASHER M-6 SERRATED DIN 6923 ZINC 8 0/000.340.9116 (u. 1) |
| 30 | FLAT WASHER 6x12x1.5 DIN 125 ZINC 0/000.440.9124 (u. 1) |
| 31 | COVER ELECTRIC START ENDURO 2018 0/000.220.9119 (u. 1) |
| 32 | ALLEN 6X45 DIN 912 ZINC 12.9 0/000.460.9149 (u. 1) |
| 33 | ALLEN 6X40 DIN 912 ZINC 12.9 0/000.460.9148 (u. 1) |
| 34 | ORIGINAL TEXT: TORN.ESP. DIN 6921 HEX.8 TX30 M6x50 FIL.20 CAL.10.9 GEOMET 0/000.460.9186 (u. 1) HEAD SCREW 6x50 DIN 6921 GEOMET 10.9 0/000.460.9126 (u. 1) |
| 35 | STARTER MOTOR BRUSHES EE80010GG-CBR-1 (u. 1) |
| 37 | FIBER WASHER 6X10X1.5 0/000.440.9123 (u. 1) |
| 38 | CRANKCASE VENT NIPPLE D.3 0/000.630.9105 (u. 1) |
| 39 | COPOLAN-NBR-NVC TUBE Ø5 x Ø9 x 450 0/000.290.9126 (u. 1) |

Obsolete

CRANKSHAFT


SET CRANKSHAFT ENDURO 2018
 0/005.380.9100 (u. 1) - 300 CC

1

CRANKSHAFT EC200-2014
 0/005.380.9102 (u. 1) - 200 CC

2

ROD RV 18X22X21.8 S CONNECTING ROD SMALL END BEARING
 ME25616035 (u. 1)

3

CONNECTING ROD ENDURO 250
 ME25612100 (u. 1)

4

LEFT SIDE CRANKSHAFT SEAL 20x35x6/6.5
 0/000.890.9103 (u. 1)

5

LEFT CRANKSHAFT BEARING 6206- TN9/C4 (OPEN)
 0/000.960.9115 (u. 1)

6

KEY 3x3.7 D.10 DIN 6888
 0/005.490.9102 (u. 1)

7

KEY DIN 6888 16 X 5 X 6.5
 0/005.490.9100 (u. 1)

8

RIGHT CRANKSHAFT BEARING 63/28-HN3/C3 GXN (OPEN)
 0/000.960.9116 (u. 1)

9

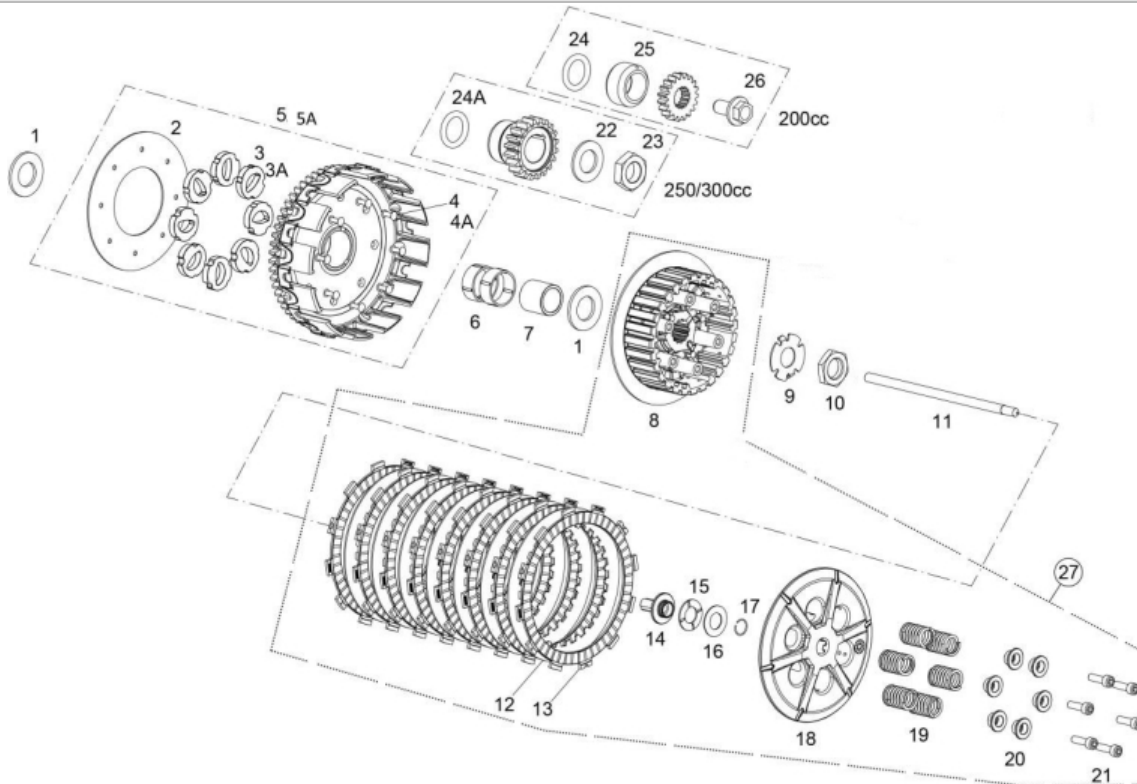
RIGHT CRANKSHAFT SEAL TB2J 38-52 7
 0/000.890.9102 (u. 1)

10

NYLON CRANKSHAFT COUNTERWEIGHT 200
 0/005.075.9100 (u. 1) - 200 cc

NYLON CRANKSHAFT COUNTERWEIGHT 250-300
 0/005.075.9101 (u. 1) - 250-300 cc

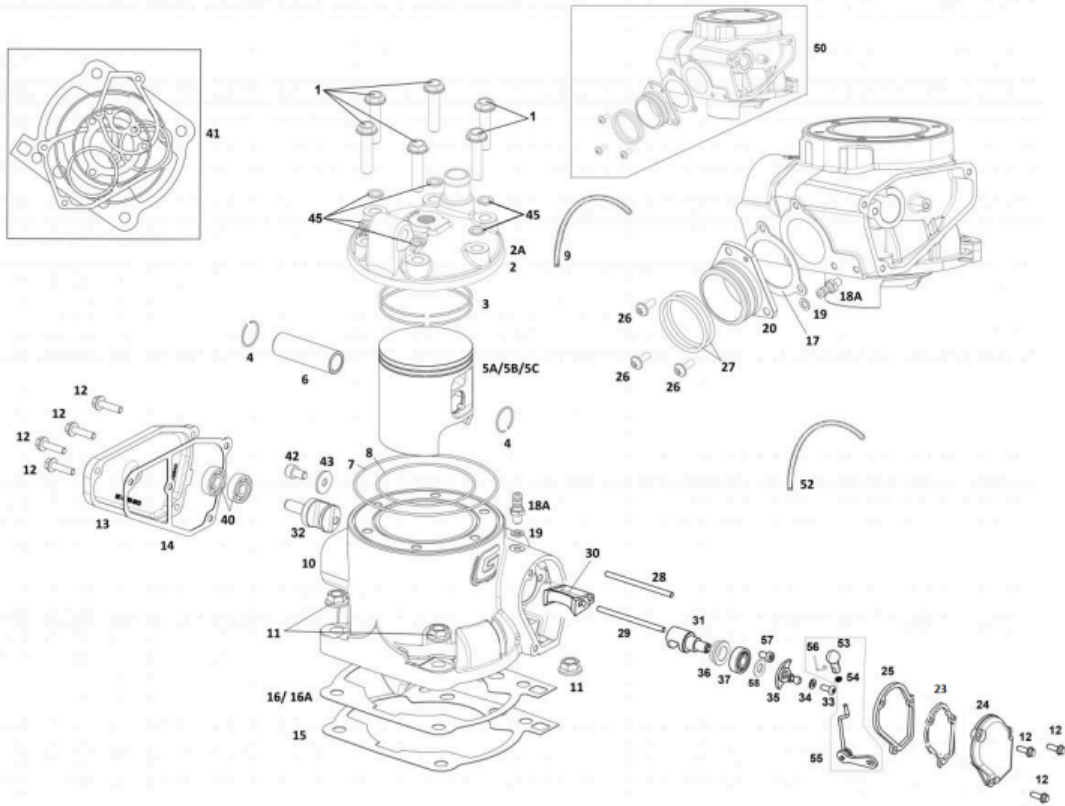
CLUTCH



| | |
|----|--|
| 1 | CLUTCH BELL WASHER 22.1X42X2.8 0/000.440.9106 (u. 2) |
| 2 | CLUTCH BOSS WASHER ME20932009 (u. 1) |
| 3 | SILENTBLOCK RUBBER C4015/115 EMBR.3376 (8 UNITS) ME20932008B (u. 8) |
| 3 | SILENTBLOCK ME20932008 (u. 8) Obsolete |
| 4 | CLUTCH BELL RIVETS ME250132010 (u. 8) |
| 5 | SET SPROCKET-PINION CLUTCH ENDURO 250-300 2014 0/005.400.9104 (u. 1) - 250 / 300 CC |
| 5 | ENDURO 200 CLUTCH SPROCKET SET 0/005.400.9103 (u. 1) - 200 CC |
| 6 | BEARING SET K28X33X13FV-M1 M3 0/000.980.9113 (u. 2) |
| 7 | CLUTCH BELL HOUSING 0/000.480.9121 (u. 1) |
| 8 | CLUTCH HUB ENDURO 2018 ME22005GG-CLJ-1 (u. 1) |
| 9 | CLUTCH LOCK WASHER ENDURO 0/000.440.9104 (u. 1) |
| 10 | CLUTCH HUB NUT 0/000.340.9107 (u. 1) |
| 11 | CLUTCH ROD MR 0/000.190.9105 (u. 1) |
| 12 | IRON CLUTCH DISCS ME22105GG-CLJ-1 (u. 7) |
| 13 | COVERED CLUTCH DISCS ME22100GG-CLJ-1 (u. 8) - BEST QUALITY |
| 13 | COVERED CLUTCH DISCS ME25632007 (u. 8) |

| | |
|----|---|
| 14 | CLUTCH PRESSURE PLATE BUSHING 0/000.480.9120 (u. 1) |
| 15 | NEEDLE CAGE AXK 1528 0/000.960.9109 (u. 1) |
| 16 | NEEDLE CAGE PLATE AS 15 0/000.440.9107 (u. 1) |
| 17 | DIN 7993 RING Ø14x1 0/000.300.9102 (u. 1) |
| 18 | ENDURO PRESSURE PLATE 2018 ME23000GG-CLJ-1 (u. 1) |
| 19 | SPRING CLUTCH EC 2018 ME22025GG-CLJ-1 (u. 6) |
| 20 | SPRING CLUTCH KIT EC-2018 ME22020GG-CLJ-1 (u. 6) |
| 21 | ALLEN BOLT 6X25 TA.EMB, CART, SUSP.12.9 T0306025 (u. 6) |
| 22 | POLISHED WASHER DIN 125 D-20 ZINC 40-42HRC 0/000.440.9108 (u. 1) |
| 23 | CRANKSHAFT PINION LOCKING NUT EC-2000 0/000.340.9106 (u. 1) |
| 24 | PRIMARY CLUTCH PINION O-RING (Ø23*5 NBR) 0/000.490.9106 (u. 1) |
| 25 | CRANKSHAFT BUSHING 25X38X20 0/000.480.9127 (u. 1) |
| 26 | SPECIAL SCREW 12X25X1.25 THREAD 20 12.9 GEOMET 0/000.460.9114 (u. 1) |
| 27 | SET CLUTCH HUB ENDURO 2018 0/005.350.9100 (u. 1) |

CYLINDER



TORN.ESP. DIN 6921 Hex.10 TX40 M8x35 Fil.25 Cal.10.9 GEOMET
0/000.460.9190 (u. 6)

1

HEXAGON HEAD SCREW DIN 6921 M8x35 THREAD 25 GRADE 10.9 GE
0/000.460.9130 (u. 6)

CYLINDER HEAD ENDURO 200 MY2018
0/005.770.9102 (u. 1) - 200 CC

2

CYLINDER HEAD ENDURO 250 2018
0/005.770.9101 (u. 1) - 250 CC

CYLINDER HEAD EC/XC 300
0/005.770.9100 (u. 1) - 300 CC

3

PISTON RINGS SET TT 250
ME25616040 (u. 1) - 250cc

PISTON RINGS SET TT-300 2835CD
ME30916040 (u. 1) - 300cc

4

PISTON PIN CLIP SET
ME25616126 (u. 2)

5A

PISTON TT 300 EC-2004
ME300416020 (u. 1) - 300cc

PISTON TT 250 A
ME25616020R (u. 1) - 250cc

5B

B TYPE PISTON TT 300 71.95
ME300416121 (u. 1) - 300cc

B TYPE PISTON 250 ENDURO
ME25616121R (u. 1) - 250cc

5C

66.36MM PISTON ENDURO C 250
ME25616122R (u. 1) - 250cc

PISTON 300CC C
ME30916122R (u. 1) - 300cc

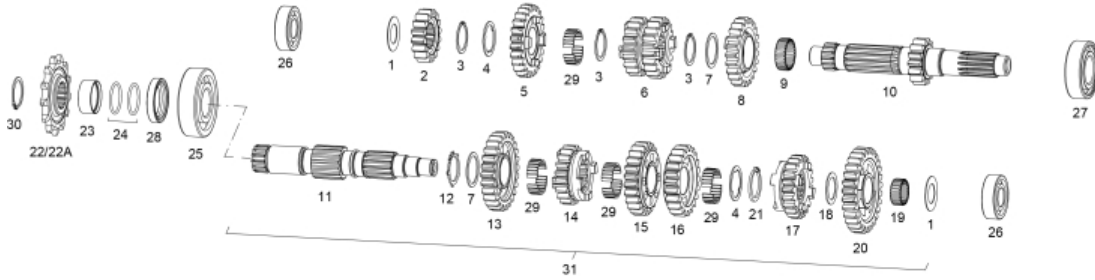
6

PISTON PIN TT 250
ME25616125 (u. 1)

| | | |
|-----|---|----------|
| 7 | OUTER CYLINDER HEAD O-RING 107.67x1.78 0/000.490.9109 (u. 1) | |
| 8 | INNER CYLINDER HEAD O-RING 75.92X1.78 VITON 0/000.490.9111 (u. 1) - 300 CC | |
| | INNER CYLINDER HEAD O-RING VITON 72.7x1.78 0/000.490.9110 (u. 1) - 200 CC | |
| 9 | CRANKCASE BREATHER TUBE (55cm) ME25610022 (u. 1) | |
| 9A | SET BLOW BY VAPOR TUBE ENDURO 2018 0/000.290.9106 (u. 1) | |
| 10 | COMPLETE CYLINDER KIT ENDURO 300 2018 0/R05.190.9100 (u. 1) - 300 CC | |
| | COMPLETE CYLINDER KIT ENDURO 200 2019 0/R05.190.9102 (u. 1) - 200 CC | |
| | COMPLETE CYLINDER KIT ENDURO 250 2018 0/R05.190.9101 (u. 1) - 250 CC | |
| 11 | NUT DIN 6923 ZINC 8.8 10/150 C13 0/000.340.9105 (u. 4) | |
| 12 | BOLT + WASHER 5x15 DIN 6921 GEOMET 10.9 0/000.460.9115 (u. 7) | |
| 13 | LEFT VALVE COVER EC 2013 0/000.350.9104 (u. 1) | |
| 14 | GASKET LEFT VALVE COVER EC 2013 0/000.490.9113 (u. 1) | |
| 15 | CYLINDER GASKET 0.15 ME25644010 (u. 1) | |
| 16 | CYLINDER GASKET 0.5 METALLIC WITH SILICONE ENDURO 2018 0/000.490.9112 (u. 1) | |
| 16A | CYLINDER GASKET 0.3 ME25644009 (u. 1) | |
| 17 | EXHAUST GASKET ME25644012 (u. 1) | |
| 18A | CRANKCASE VENT NIPPLE D.3 0/000.630.9105 (u. 2) | |
| 19 | FIBER WASHER 6X10X1.5 0/000.440.9123 (u. 2) | |
| 20 | EXHAUST PIPE 2005 ME250516019 (u. 1) | |
| 23 | GASKET RH VALVE COVER MR 0/000.490.9124 (u. 2) | |
| 24 | RIGHT VALVE COVER EC300 2014 0/000.350.9108 (u. 1) | |
| 25 | SEPARATOR RH VALVE COVER MR 0/000.480.9133 (u. 1) | |
| 26 | ULS TORX SCREW 6X14 DIN 7380-1 ZINC-PLATED 10.9 T0566014 (u. 3) | |
| 27 | Exhaust Oring Pampera BE250526006 (u. 2) | Obsolete |
| | (PACK OF 5 UNITS) EXHAUST PIPE O-RING 44X3 FP (VITON) BE250526006-B (u. 2) | |
| 28 | LONG EXHAUST VALVE SHAFT 93MM ME25616027 (u. 1) | |
| 29 | SHORT EXHAUST VALVE AXIS 83MM ME25616017 (u. 1) | |
| 30 | CENTRAL VALVE ENDURO 250 2018 ME72005GG-CLK-1 (u. 1) | |

| | | |
|-----|--|----------|
| 31 | RIGHT VALVE ENDURO 250 2018 ME72000GG-CLK-1 (u. 1) | |
| 32 | LEFT VALVE ENDURO 250 2018 ME72010GG-CLK-1 (u. 1) | |
| 33 | SCREW ISO 7380 Allen M5x10 Cal.10.9 WHITE ZINC PLATED 0/000.460.2000 (u. 1) | |
| 34 | WASHER 5X12X1.5 DIN 125A ZINC 0/000.440.9121 (u. 1) | |
| 35 | SET LEVER VALVE EXHAUST EC 2015 0/000.640.9103 (u. 1) | |
| 36 | EXHAUST VALVE BEARING SPACER ME25616036 (u. 1) | |
| 37 | WATER PUMP BEARING 6000 C3Z=M03313001 0/000.960.9107 (u. 1) | |
| 40 | 608Z C3 BEARING 0/000.960.9108 (u. 2) | |
| 41 | CYLINDER HEAD GASKET KIT 300CC ME94620CT-CAB-1 (u. 1) - 300cc | |
| | GASKET SET, CYLINDER AND HEAD, 250cc ME94620CT-BZX-1 (u. 1) | |
| 42 | ALLEN 6X10 8.8 BOB. T0306010 (u. 2) | Obsolete |
| | ALLEN SCREW 912 8.8 ZINC 6X10 0/000.460.2009 (u. 2) | |
| 43 | WASHER 6X18X1.5 DIN 9021 ZINC 0/000.440.9126 (u. 1) | |
| 44 | FLAT WASHER 6x12x1.5 DIN 125 ZINC 0/000.440.9124 (u. 1) | |
| 45 | COPPER WASHER 8.5x16x1.5 DIN 125 A ISO 7090 0/000.440.9130 (u. 6) | |
| 50 | COMPLETE CYLINDER KIT ENDURO 300 2018 0/R05.190.9100 (u. 1) | |
| | COMPLETE CYLINDER KIT ENDURO 250 2018 0/R05.190.9101 (u. 1) | |
| 51 | COPPER WASHER 6X10X1.5 WATER PUMP BOLT 0/000.440.9122 (u. 2) | |
| 52 | VENT TUBE VALVE S EC-2009 BE733001209 (u. 1) | |
| 52a | SET BLOW BY VAPOR TUBE ENDURO 2018 0/000.290.9106 (u. 1) | |
| 53 | SET EXHAUST VALVE PUSHROD COMPLETE EC 2015 0/000.640.9104 (u. 1) | |
| 54 | TUERCA M 3.5X0.6 T2503006 (u. 1) | Obsolete |
| 55 | SET EXHAUST VALVE PUSHROD COMPLETE EC 2015 0/000.640.9104 (u. 1) | |
| 56 | SAFETY CLIP BALL-JOINT 0/000.840.9103 (u. 1) | |
| 58 | SPACER BUSHING EXHAUST VALVE BEARING 0/000.480.9124 (u. 1) | |

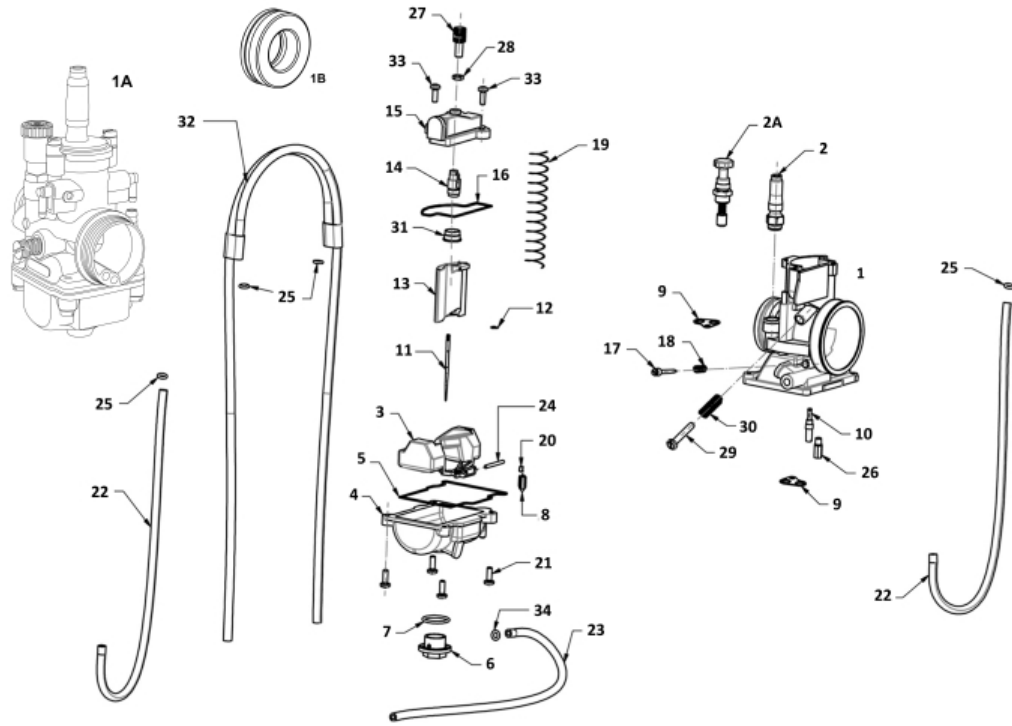
CHANGE ASSEMBLY



| | |
|----|---|
| 1 | SHIFT WASHER 18X31.5X0.7 ME25636014 (u. 2) |
| 2 | PRIMARY II PINION Z-16 ME25636071 (u. 1) |
| 3 | CIRCLIP DIN 471 D.25 0/000.300.9107 (u. 3) |
| 4 | 31.5X(25X22)X1 GROOVING WASHER ME25636091 (u. 2) |
| 5 | PRIMARY VI PINION Z-24 ME25636074 (u. 1) |
| 6 | PRIMARY III AND IV PINION ME25636072 (u. 1) |
| 7 | 25.2X31.5X1 GEAR WASHER ME25636017 (u. 2) |
| 8 | PRIMARY V PINION Z-23 ME25636073 (u. 1) |
| 9 | NEEDLE BEARING K25-29-10 0/000.960.9104 (u. 1) |
| 10 | PRIMARY SHAFT EC 250-2002 ME250236070 (u. 1) |
| 11 | SECONDARY SHAFT EC 08 ME410002508 (u. 1) |
| 12 | DIN 983 CIRCLIP D.25 =25049255 ME25636095 (u. 1) |
| 13 | SECONDARY PINION II 7-26 ME42211GG-CSK-1 (u. 1) |
| 14 | SECONDARY VI PINION Z-19 ME42215GG-CSK-1 (u. 1) |
| 15 | SECONDARY III PINION Z-24 ME42212GG-CSK-1 (u. 1) |
| 16 | SECONDARY IV PINION Z-22 ME42213GG-CSK-1 (u. 1) |
| 17 | SECONDARY V PINION Z-21 ME42214GG-CSK-1 (u. 1) |
| 18 | 20.8X29X1 GEAR WASHER ME25636016 (u. 1) |
| 19 | K20X24X10 NEEDLE BEARING 0/000.960.9114 (u. 1) |

| | |
|------------|--|
| 20 | SECONDARY I PINION Z-29 ME42210GG-CSK-1 (u. 1) |
| 21 | CIRCLIP D.25 DIN 471 REDUCED D.2 SE03025200009 (u. 1) |
| 22 | 13T OUTPUT PINION 0/005.400.9112 (u. 1) |
| 22A | OUTPUT SPROCKET TG421X12T 0/005.400.9113 (u. 1) |
| 22B | OUTPUT SPROCKET TG421X11T 0/005.400.9114 (u. 1) |
| 23 | OUTPUT SHAFT SEAL BUSHING 0/000.260.9100 (u. 1) |
| 24 | SHAFT O-RING 25x2 NBR 0/000.490.9107 (u. 2) |
| 25 | SHIFT BEARING 6305 C3 0/000.960.9113 (u. 1) |
| 26 | SHIFT BEARING 6203C3 0/000.960.9112 (u. 2) |
| 27 | SHIFT BEARING 6205-2RSH/C3 0/000.960.9106 (u. 1) |
| 28 | COUNTERSHAFT SEAL TC 30x40x7 DOUBLE LIP 0/000.890.9106 (u. 1) |
| 29 | KD22X25X9.8 NEEDLE CAGE GEARBOX GROUP 0/005.150.9101 (u. 4) |
| 30 | CIRCLIP DIN 471 D.25 0/000.300.9107 (u. 1) |
| 31 | GEAR SHIFT SET 0/005.400.9107 (u. 1) |

CARBURETOR



KEIHIN PWK 38 CARBURETTOR
0/005.155.9105 (u. 1) - SIX DAYS SPAIN 300

1 KEIHIN CARBURETOR PWKS DIAM. 36 EC
0/005.155.9101 (u. 1) - 200 CC

KEIHIN PWK 38 CARBURETTOR STARTER CONTROL 10FK-A73Z-0000
0/005.155.9100 (u. 1) - 300 CC

1A CARBURETOR PHBG 21 DS ENDURO 73/33 SLIDE 40
0/005.155.9103 (u. 1)

1B ADAPTOR CARBURETOR DELL ORTO ENDURO 2018
0/005.150.9102 (u. 1)

2 CHOKE KNOB
ME25000173012 (u. 1)

2A STARTER CONTROL 1166-818-2101
ME25690011 (u. 1)

3 FLOAT BOBBER 1052-856-2101
ME25000183012 (u. 1)

4 FLOAT BOWL 1050-898-2102
ME25000193012 (u. 1)

5 SEAL FLOAT BOWL 1051-KZ40-0001
ME25000203012 (u. 1)

6 DRAIN PAN COVER
ME25690015 (u. 1)

8 FLOAT NEEDLE 1062-814-2103
ME25000213012 (u. 1)

10 SLOW JET Ø40 (PLN3721040)
0/005.991.9107 (u. 1)

SLOW JET 42 N424-21042
0/005.991.9105 (u. 1)

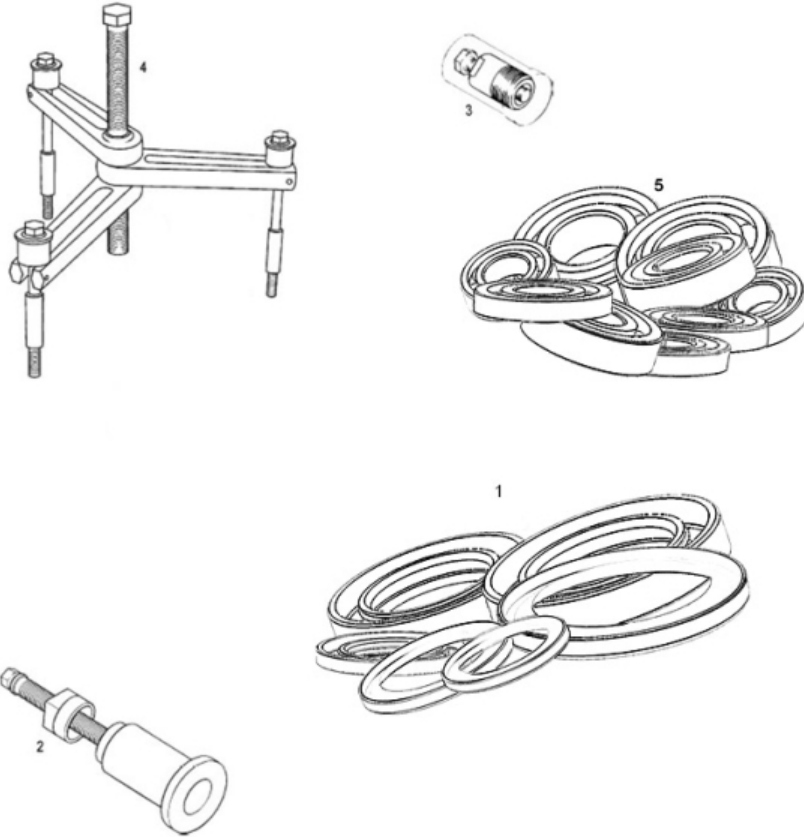
10A IDLE JET 45
0/005.991.9103 (u. 1)

10B SLOW JET 42 N424-21042
0/005.991.9105 (u. 1)

| | | |
|-----|--|-----------------|
| 11 | KEIHIN N1EF NEEDLE 0/005.150.9100 (u. 1) | |
| 11A | NEEDLE KEIHIN N1EE (N427-1EE00) ME250290427 (u. 1) | |
| 11B | NEEDLE KEIHIN N1EG (N427-1EG00) ME250290428 (u. 1) | |
| 11C | NEEDLE NOZH N427-OZH00 ME120690435 (u. 1) | |
| 12 | NEEDLE CLIP 16115-169-0040 ME25690021 (u. 1) | |
| 13 | GATE N°7 N502-66F00 0/005.150.9103 (u. 1) | |
| 14 | NEEDLE-CABLE HOLDER 1101-804-2001 ME25690023 (u. 1) | |
| 15 | COVER 1030-A92A-0000 ME25000243012 (u. 1) | |
| 16 | O-RING SEAL COVER 1202-882-6000 ME25000253012 (u. 1) | |
| 17 | ADJUSTMENT SCREW ME25000263012 (u. 1) | |
| 18 | SPRING AIR ADJUSTMENT SCREW 1300-416H-9900 ME25000273012 (u. 1) | |
| 19 | SPRING GATE 1290-A53-2000 ME25000283012 (u. 1) | |
| 20 | FLOAT LEVEL CLIP 0405-019-1000 ME25690027 (u. 1) | |
| 21 | BOLT.BUCKET 93500-04014-1H ME25000293012 (u. 4) | |
| 22 | VENT TUBE 0803-868-0000 ME25000303012 (u. 2) | |
| 23 | VENT TUBE-2 0803-869-0000 ME25000313012 (u. 1) | |
| 24 | FLOATING AXLE W9525-25250 ME25690033 (u. 1) | |
| 25 | CLIP VENT TUBE W9535-35000 ME25690034 (u. 4) | |
| 26 | MAIN JET Ø170 (KEA170) 0/005.991.9106 (u. 1) | |
| | MAIN JET #175 (99101-357-1750) 0/005.991.9104 (u. 1) | |
| 27 | CABLE TENSIONER W9581-59250 ME25000323012 (u. 1) | |
| 28 | ADJUSTING NUT CABLE 1793-130H-9900 ME25000333012 (u. 1) | |
| 29 | IDLE ADJUSTING BOLT ME25690038 (u. 1) | |
| 30 | ADJUSTING BOLT SPRING 1290-963-2000 ME25690039 (u. 1) | |
| 31 | SPRING BUSHING SET 1118-929-7000 ME25690040 (u. 1) | |
| 32 | TUBE VENTILACIÒN 0803-862-0100 ME25000343012 (u. 1) | Obsoleto |
| 33 | GATE COVER SCREW ME25000353012 (u. 2) | |
| | TORNILLO DIN 912 Allen M4x10 Cal.A2 INOX 0/000.460.9223 (u. 2) | |

| | |
|----|---|
| 34 | VENT TUBE CLIP-2 W9535-25000 ME25000363012 (u. 1) |
| 35 | STOP THROTTLE CABLE ME250690010 (u. 1) Obsolete |

ENGINE TOOLS



| | | |
|---|--|----------|
| 1 | SET SEALS EC-250/300 2010 ME906002510 (u. 1) | |
| 2 | EXTRACTOR COJINETE CIGUEÑAL ME25950000 (u. 1) | Obsolete |
| 3 | FLYWHEEL PULLER TRIAL 2002 MT280234045 (u. 1) | |
| 4 | EXTRACTOR CARTER ME25950005 (u. 1) | Obsolete |
| 5 | ENGINE BEARING KIT EC 250 300 2018 ME90500CT-CLJ-1 (u. 1) | |